

Barudan

HIGH SPEED AUTOMATIC EMBROIDERY MACHINE

MODEL **BEMRH-YN**
BEMSH-YN
BEMXH-YN

PARTS LIST (YN-II)

BARUDAN CO., LTD.

ADDRESS 906 JOSUJI
ICHINOMIYA-CITY·AICHI-PREF·
JAPAN

TEL. <0586>76-1137
FAX. <0586>77-1499
TELEX 4573268 BARUNA J
CABLE BARUNA ICHINOMIYA

HIGH SPEED AUTOMATIC EMBROIDERY

BEMRH-YN • BEMSH-YN • BEMXH-YN

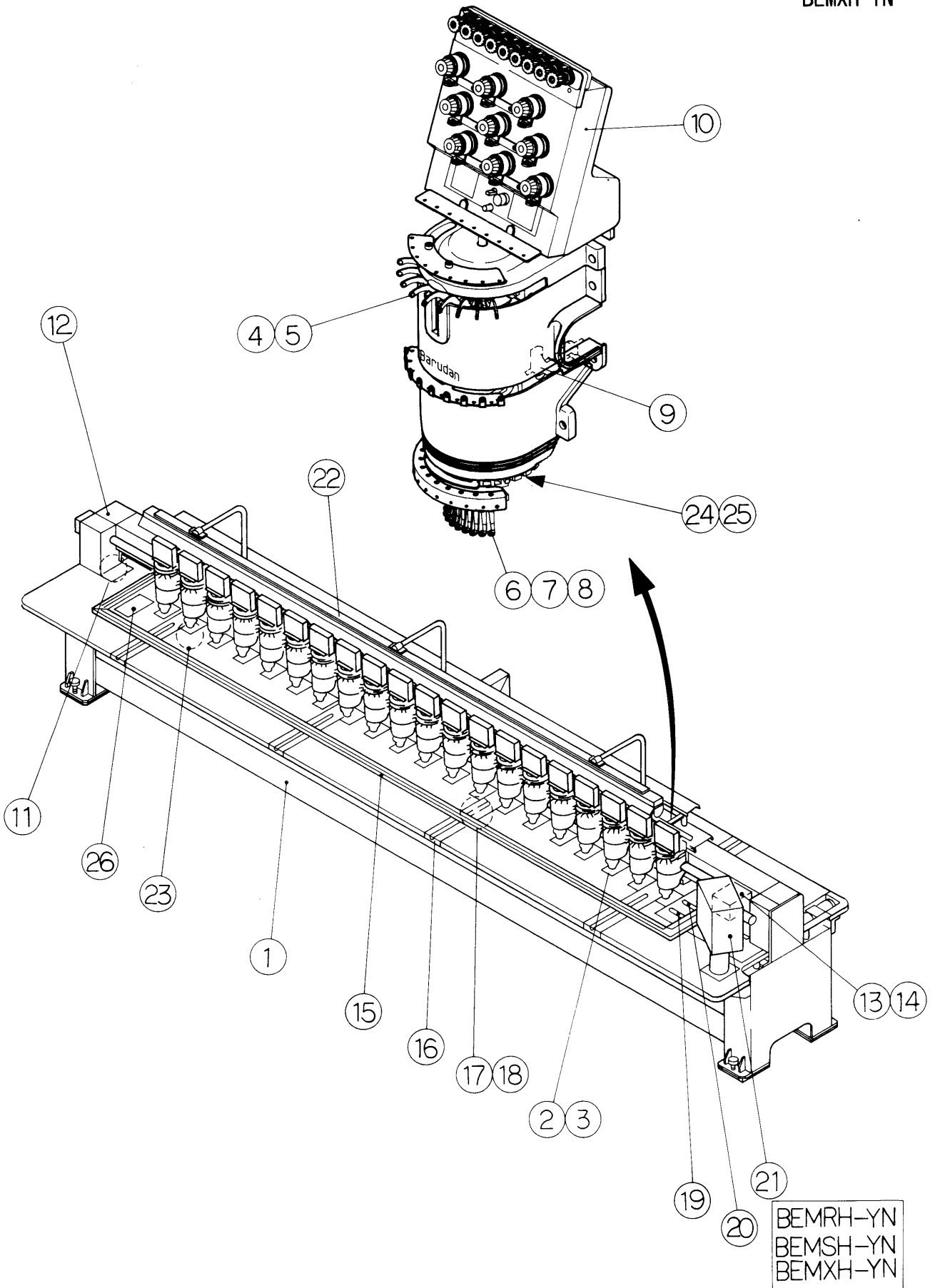
MACHINE PARTS LIST

C O N T E N T S

ITEM No.	Page	No.
Machine layout (BEMRH-YN BEMSH-YN BEMXH-YN)	1	
① Table • Frame	2	
② Bed a' ssy	4	
③ Encoder a' ssy	6	
④ Take up lever a' ssy I	8	
⑤ Take up lever a' ssy II	10	
⑥ Needle bar mechanism I	12	
⑦ Needle bar mechanism II	14	
⑧ Needle bar mechanism III	16	
⑨ Jump a' ssy	18	
⑩ Thread guide mechanism	20	
⑪ Drive mechanism I	22	
⑫ Drive mechanism II	24	
⑬ Color change mechanism I	26	
⑭ Color change mechanism II	28	
⑮ Pantograph drive mechanism I (Pantograph • Guide cover)	30	
⑯ Pantograph drive mechanism II (H-Direction • Front)	32	
⑰ Pantograph drive mechanism III (H-Direction • Rear)	34	
⑱ Pantograph drive mechanism IV (H-Direction • Drive)	36	
⑲ Pantograph drive mechanism V (V-Direction • Guide rail base relation)	38	
⑳ Pantograph drive mechanism VI (V-Direction • Drive)	40	
㉑ Control system < BEMRH-YN >	42	
㉑ Control system < BEMSH-YN >	44	
㉑ Control system < BEMXH-YN >	46	
㉒ Option	48	
㉓ Thread cutting mechanism I (Thread cutting section)	50	
㉔ Thread cutting mechanism II (Thread away section)	52	
㉕ Thread cutting mechanism III (Thread support section)	54	
㉖ Thread cutting mechanism IV (Drive section)	56	
㉗ Thread guide mechanism (Lower thread sensorium)	58	
INDEX	60	

Barudan

Machine layout (BEMRH-YN
BEMSH-YN
BEMXH-YN)



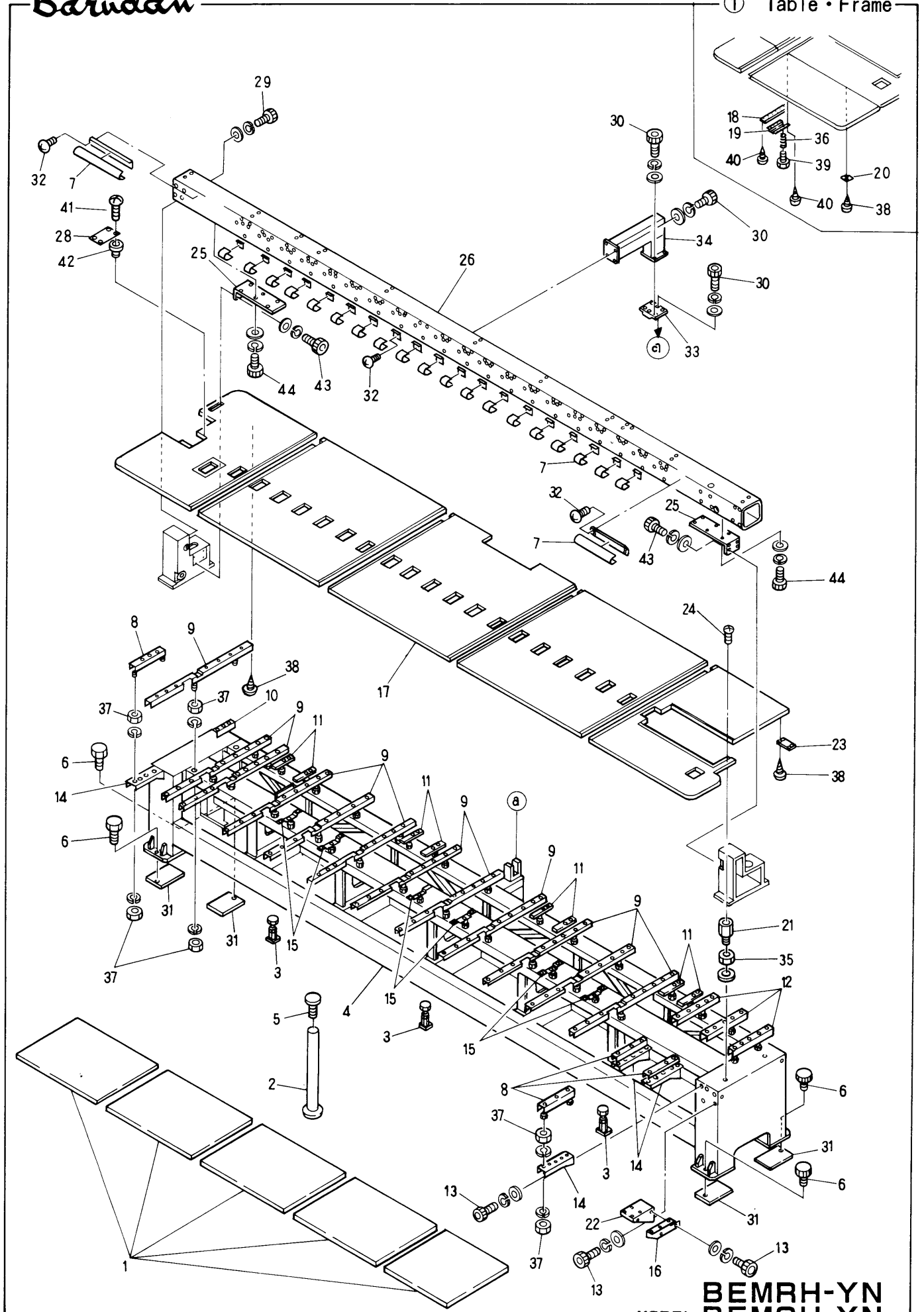
From the library of: Diamond Needle Corp

MODEL

BEMRH-YN
BEMSH-YN
BEMXH-YN

Barudan

① Table • Frame



From the library of: Diamond Needle Corp

BEMRH-YN
BEMSH-YN
BEMXH-YN

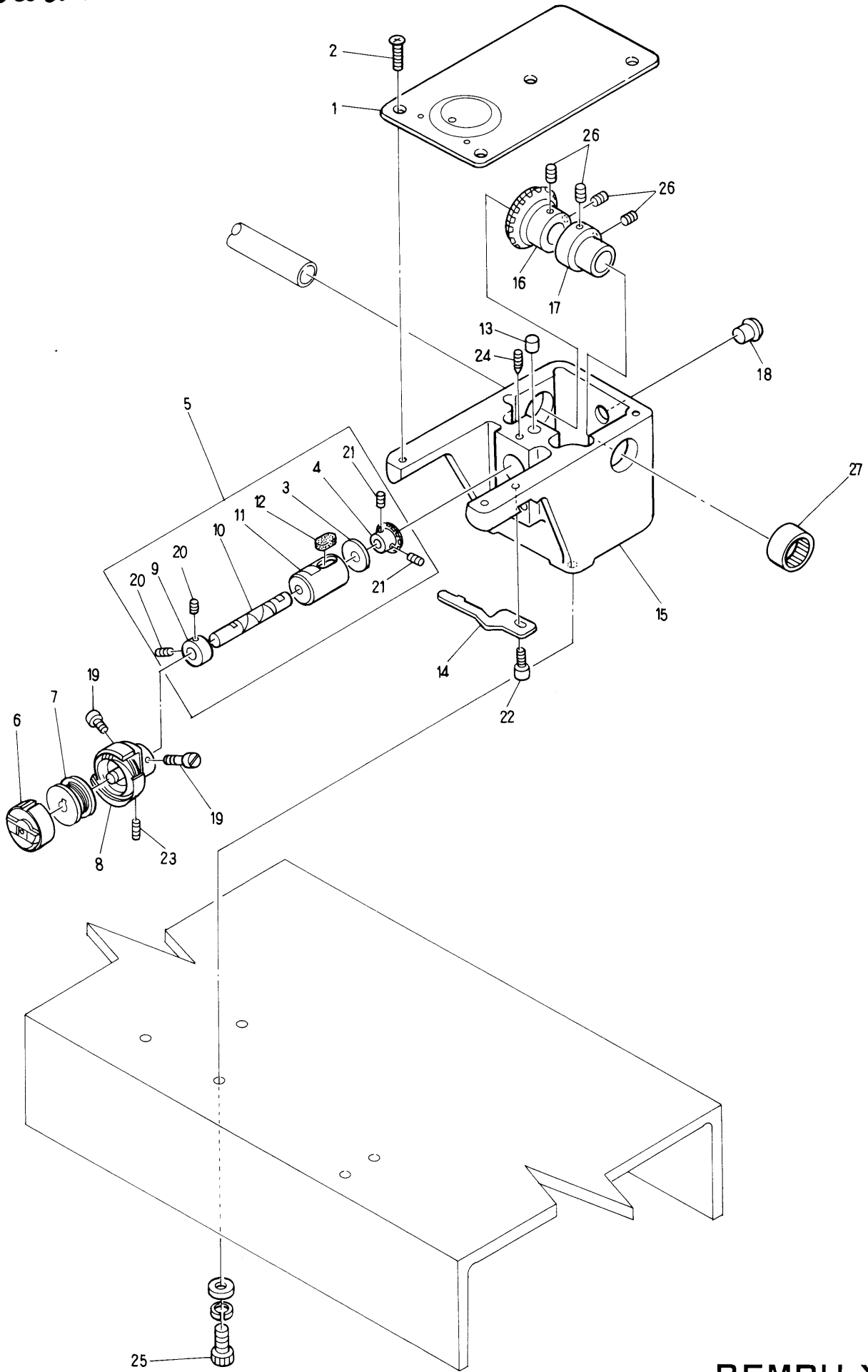
① Table・Frame

(※Change the LIST No. by machine type)

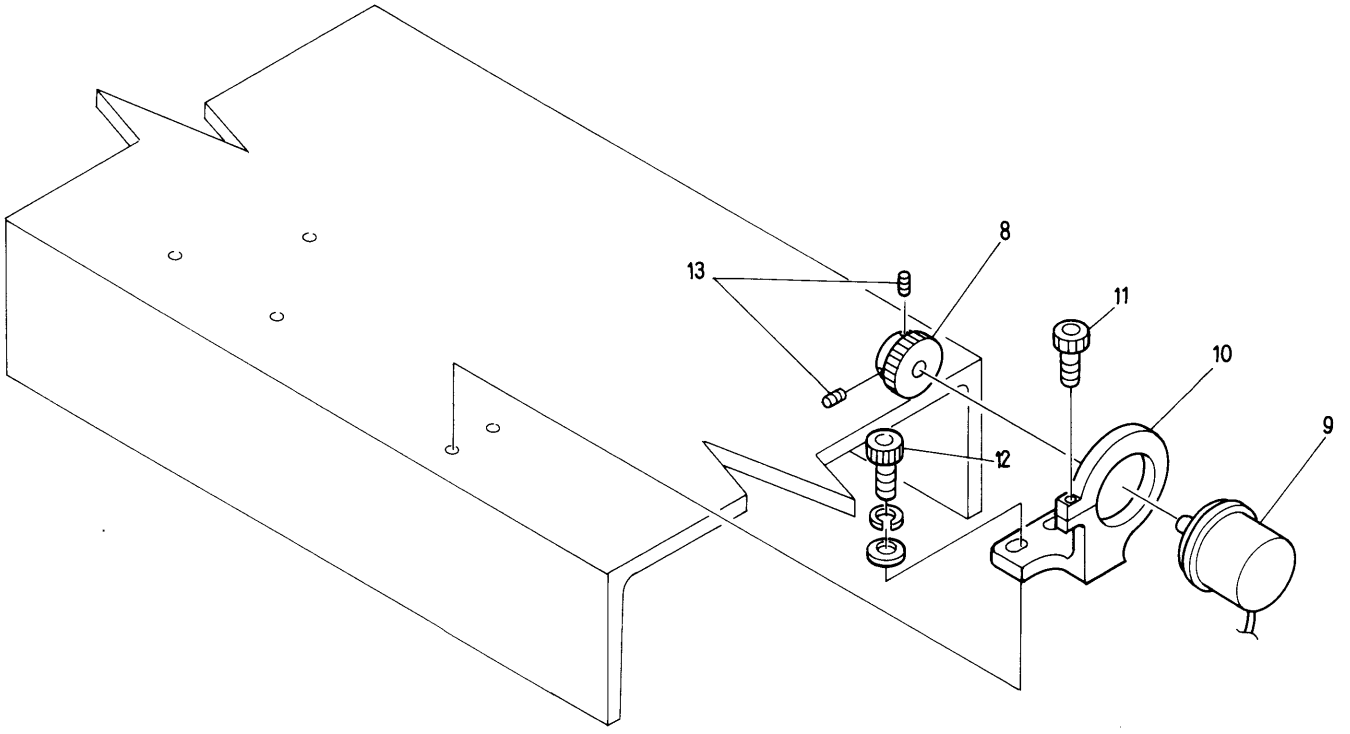
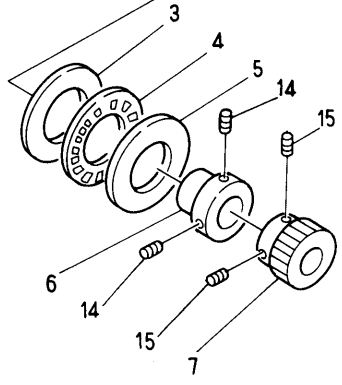
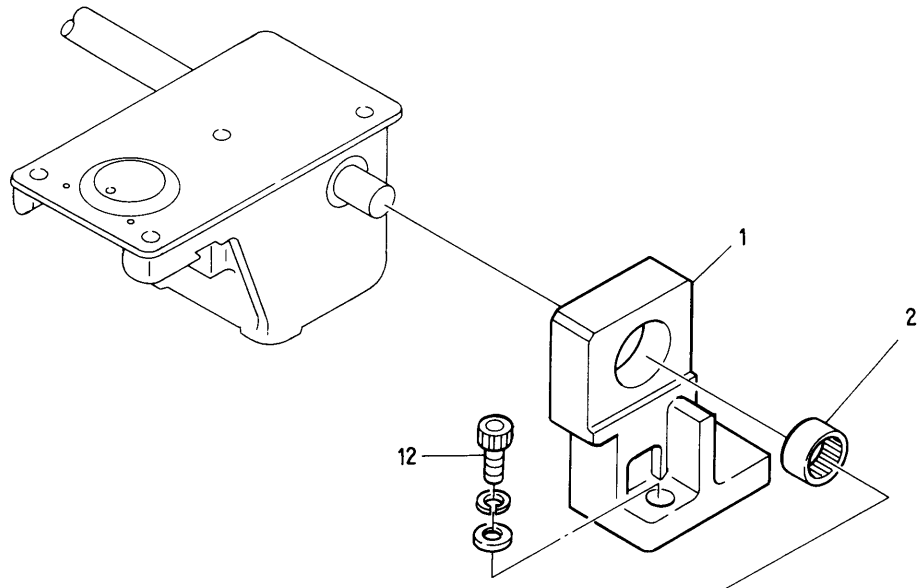
ITEM	LIST No.	DESCRIPTION	Q'TY	REMARK
1	1KHB2024053045G	Shelf board (MSH-Y S-20 450×240/530)	1	※
2	WW140070	Table holder	5	
3	HP120020	M16 Mid jack bolt	6	
4	1AHB2024053045G	Frame (MSH-Y S-20 450×240/530)	1	※
5	A9012213	Level adjuster (C-1275-A-4)	5	
6		Hex, bolt M20×65	4	
7	1SHB20240530J	Shaft cover YS-20 P=240/530	1	※
8	HP140111	Table support (310L)	4	
9	HP141450	Table support (1160L) With notch	12	※
10	HH140260	Table support (215L)	1	※
11	HP140841	Table support (215L)	8	
12	HP140490	Table support (480L)	3	※
13		Hex, bolt M8×20		
14	HP1:0120	Table support bracket (TDH)	4	
15	HP141080	Table support (230L)	6	
16	HP14013045	Table support (R) Front (360L) (TDH)	1	※
17	1BHB2024053045G	Table (MSH-Y S-20 450×240/530)	1	※
18	HP14010085	Table support (for H stroke 850)	1	※
19	HP140090	Table support		
20	HP141090	Movable table support		
21	HP140170	Table support bolt	1	
22	HP512320	Controller fixing stay	1	
23	KC140121	Table reinforcement plate	1	
24		Truss screw M6×35		
25	HP130021	Bridge support	2	
26	1EHB20240530N	Bridge (MSH-Y S-20 P=240/530)	1	※
27		Hex, socket bolt M6×15		
28	HP321110	Lower shaft connecting coupling cover	1	
29		Hex, socket bolt M12×40		
30		Hex, socket bolt M8×25		
31	HP120030	Base plate (200×200×t1)	5	
32		Truss screw M5×10		
33	HB130040	Bridge support base (Center)	1	
34	HB13001145	Bridge support (Center) H-Stroke 450	1	※
35		Hex, nut M8		
36	HH140940	Spring		
37		Hex, nut 3/8		
38		Pias biss 5×23		
39		Hex, bolt M8×25		
40		Wood screw 5.1×25		
41		Truss screw M4×8 (Undercut)		
42		Nut (C) M4		
43		Hex, socket bolt M10×40		
44		Hex, socket bolt M10×30		

Barudan

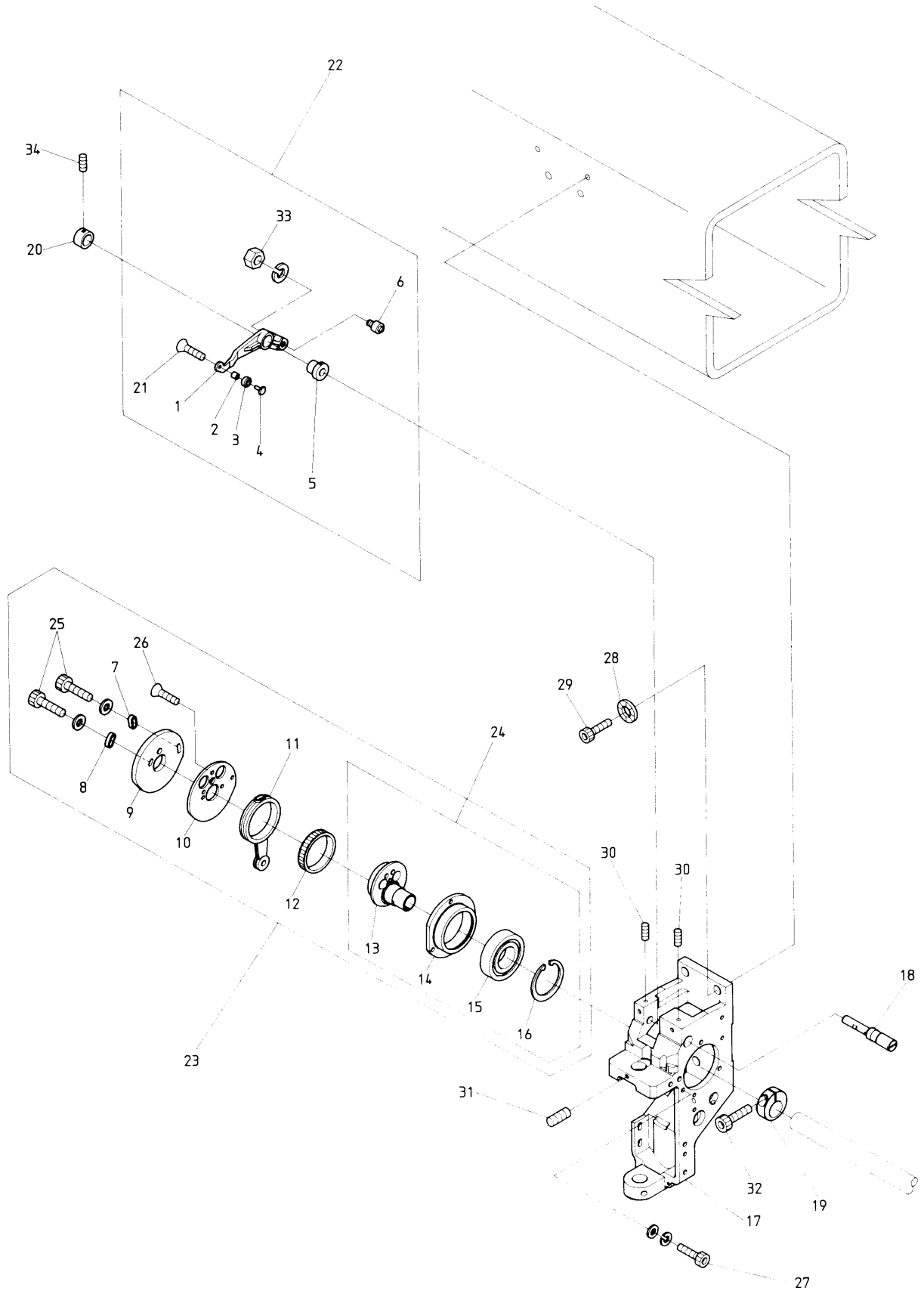
② Bed a' ssy



MODEL
BEMRH-YN
BEMSH-YN
BEMXH-YN

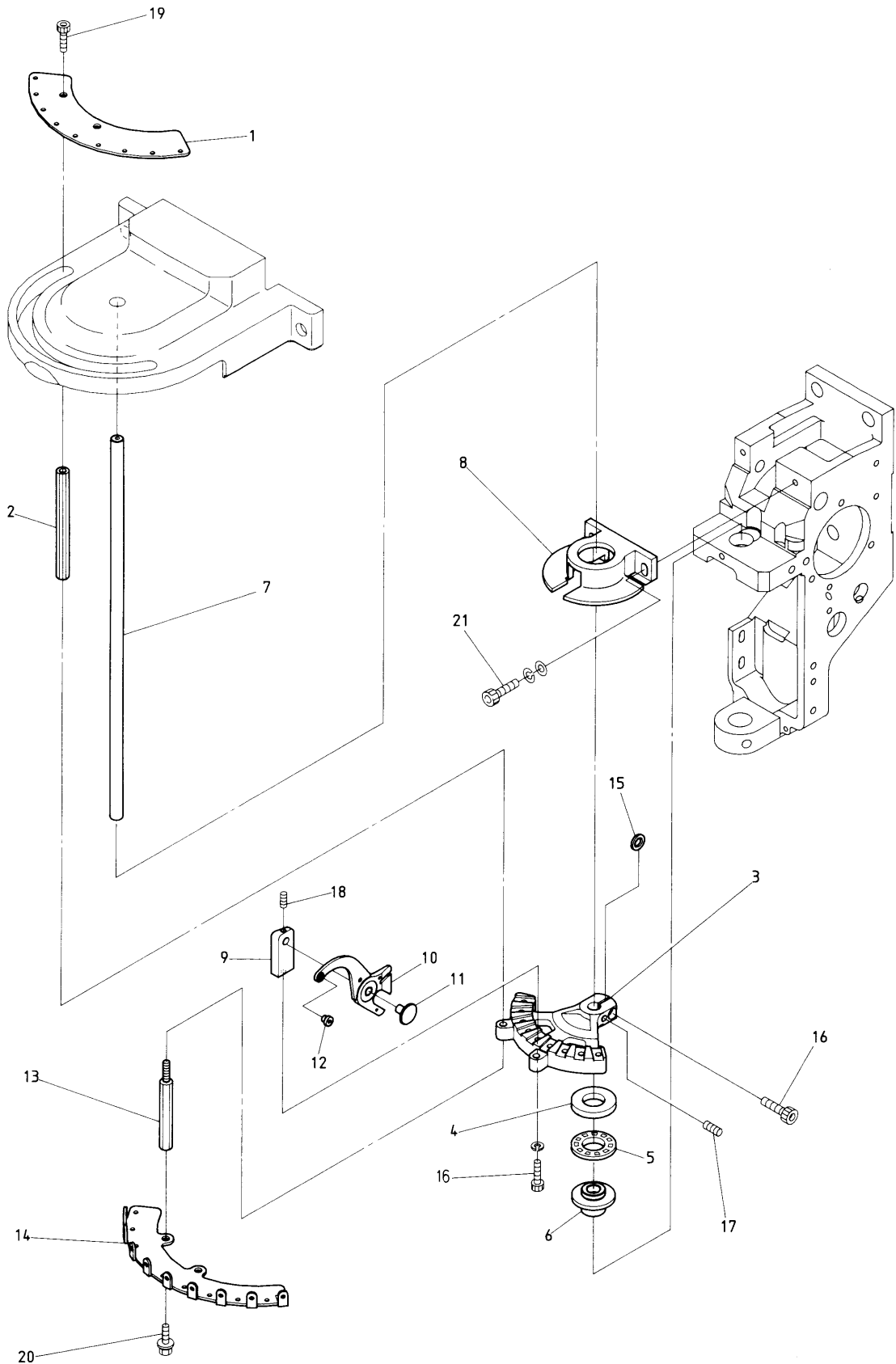


MODEL
BEMRH-YN
BEMSH-YN
BEMXH-YN

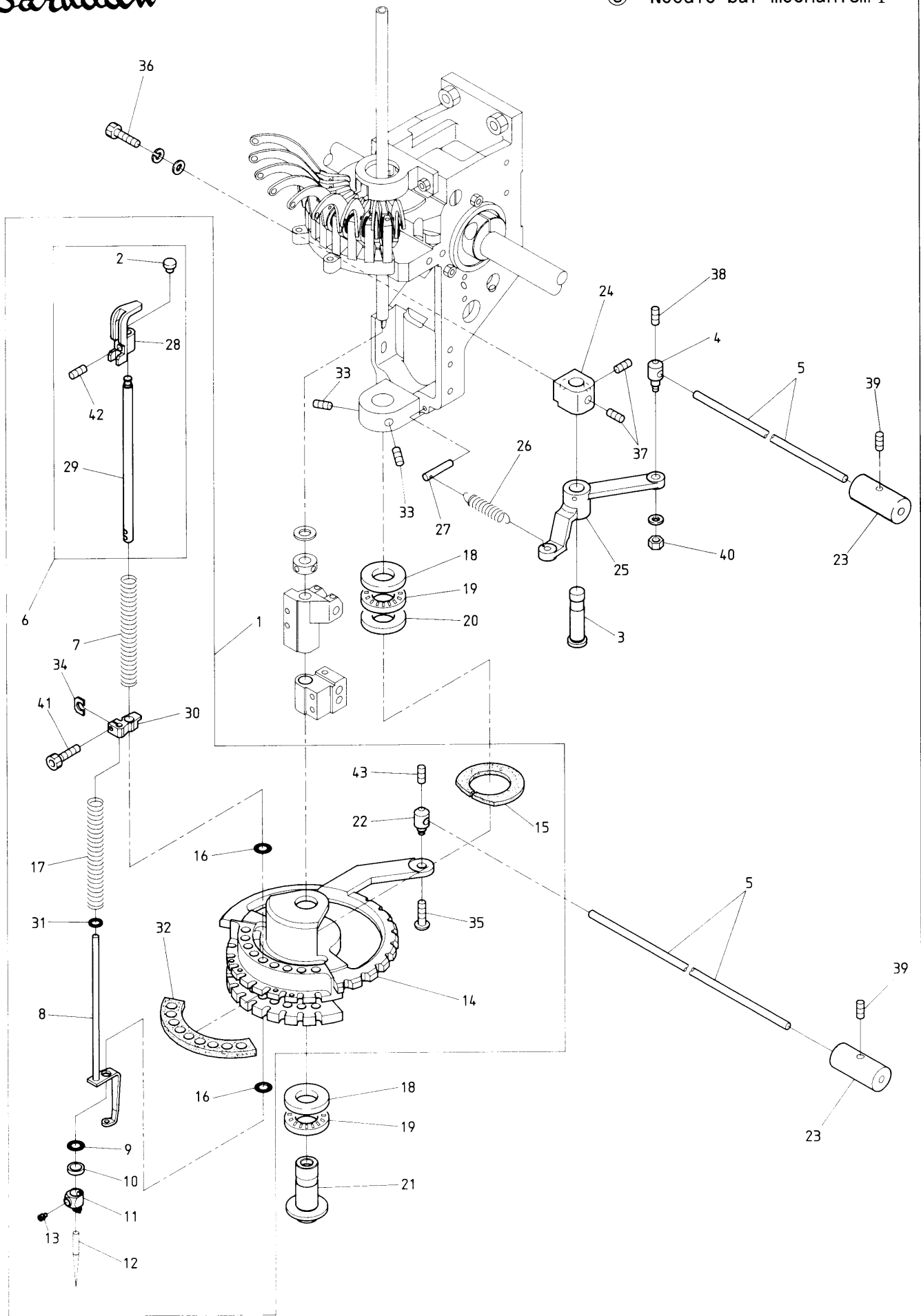


From the library of: Diamond Needle Corp

MODEL
BEMRH-YN
BEMSH-YN
BEMXH-YN



From the library of: Diamond Needle Corp



From the library of: Diamond Needle Corp

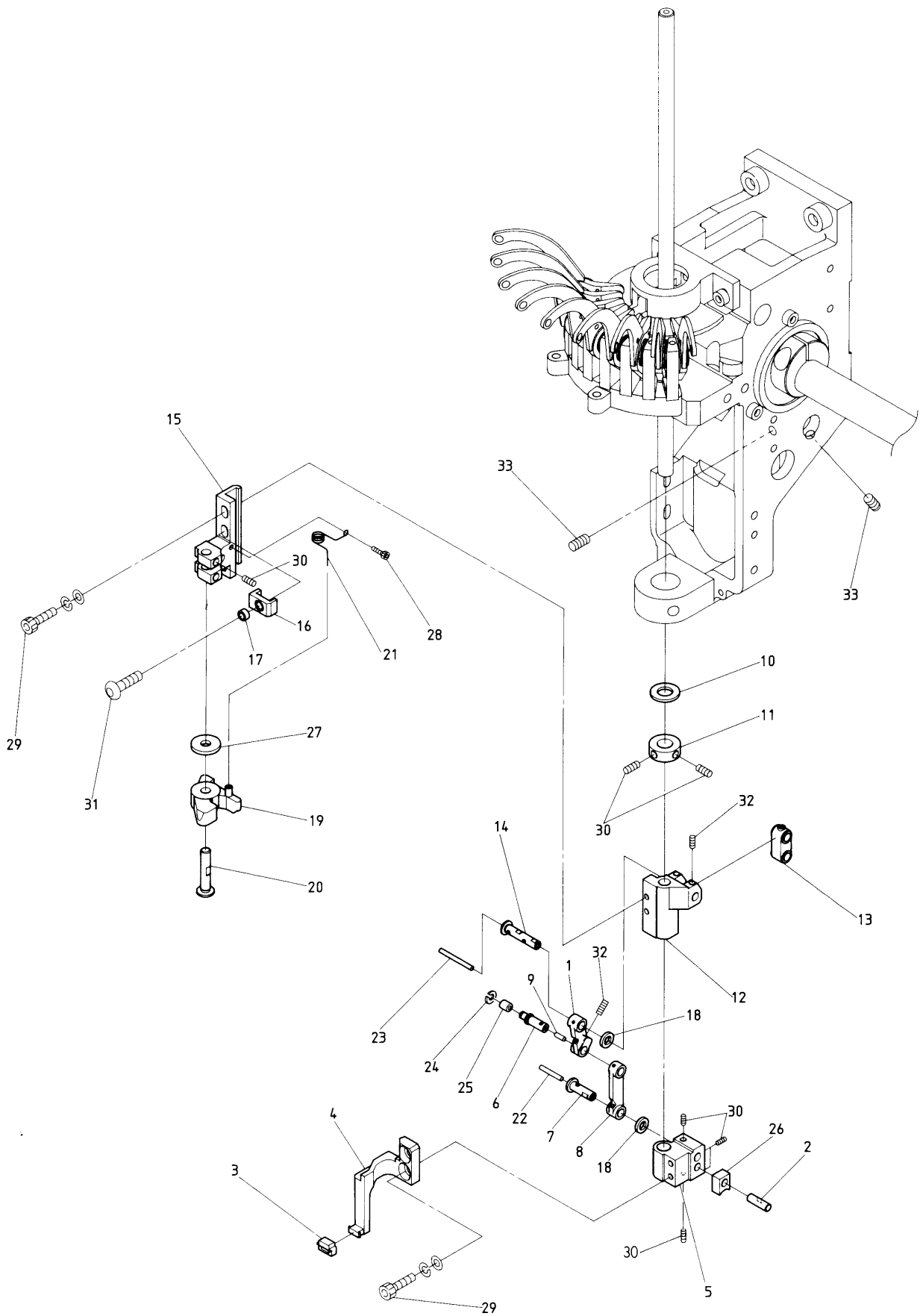
MODEL
BEMRH-YN
BEMSH-YN
BEMXH-YN

⑥ Needle bar mechanism I

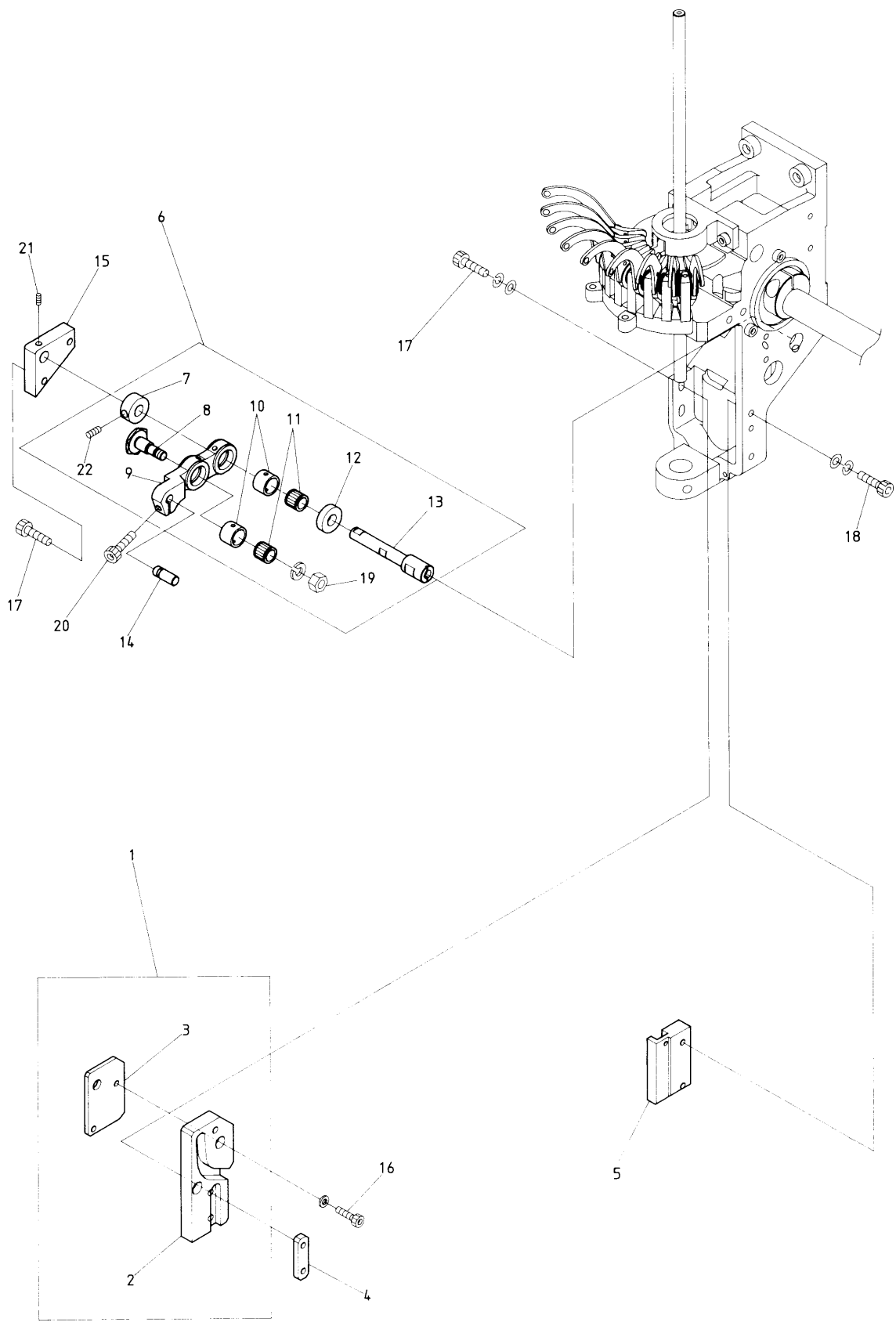
(H=Head Q'TY)

ITEM	LIST No.	DESCRIPTION	Q'TY	REMARK
1		Turning plate a'ssy	H × 1	
2	HT 2 3 0 1 3 0	Needle bar cap	H × 9	
3	HB 2 3 0 1 9 0	Lock lever shaft	H × 1	
4	KF 2 3 0 6 4 0	Lock connecting clamp	H × 1	
5	KC 3 3 0 4 1 0	Lock connecting rod (L=2000)	6	
6	HT 2 3 0 8 1 0	Needle bar a'ssy	H × 9	
7	HB 2 3 0 7 9 1	Needle bar spring (Upper) small bobbin	H × 9	
	HT 2 3 0 7 0 0	Needle bar spring (Upper) middle bobbin	H × 9	
8	HT 2 3 0 1 4 1	Pressure foot	H × 9	
9	KF 2 3 0 9 1 0	O-Ring (Small) P-6	H × 9	
1 0	HT 2 3 0 1 2 0	Washer 2.4	H × 9	
1 1	HT 2 3 0 6 7 0	Needle clamp (With hook)	H × 9	
1 2	KF 2 3 0 2 5 0	Needle (BK-11)	H × 9	
1 3	KF 2 3 0 2 4 0	Needle clamp screw (SM9/64)	H × 9	
1 4	HT 2 3 0 5 7 0 M	Turret plate	H × 1	
1 5	HT 2 3 0 6 9 0	Turret plate felt (Upper)	H × 1	
1 6	A 9 0 1 4 0 5 5	O-Ring (IAS-7) S-7	H × 1	
1 7	HT 2 3 0 0 6 1	Needle bar spring (Under)	H × 18	
1 8	A 9 0 1 1 0 2 3	Thrust bearing outer (GS1528)	H × 2	
1 9	A 9 0 1 1 0 2 1	Thrust bearing (NTB-1528)	H × 2	
2 0	A 9 0 1 1 0 2 2	Thrust washer (AS-1528)	H × 1	
2 1	HT 2 3 0 5 5 0	Driving shaft lower metal	H × 1	
2 2	HT 2 3 0 1 8 0	Turret plate joint pin	H × 1	
2 3	KF 3 3 0 1 8 0	Lock bar hand grip	4	
2 4	HB 2 3 0 1 8 0	Lock lever bracket	H × 1	
2 5	KL 2 3 0 1 8 0	Lock lever	H × 1	
2 6	KF 2 3 0 6 6 1	Lock lever spring	H × 1	
2 7	KF 2 3 0 6 7 0	Lock lever spring pin	H × 1	
2 8	HT 2 3 0 1 5 1	Needle bar guide	H × 1	
2 9	HT 2 3 0 0 4 1	Needle bar	H × 1	
3 0	HT 2 3 0 3 3 0	Cloth winder stop latch set clamp	H × 1	
3 1	HT 2 3 0 6 5 0	Washer (D6, d4.3, t0.5)	H × 9	
3 2	HT 2 3 0 1 1 0	Turret felt	H × 1	
3 3	A 9 0 1 2 0 5 3	Hex. socket set screw (With steel ball) M6 × 0.7 × 8	H × 2	
3 4	HT 2 3 0 2 6 1	Washer (For set clamp)	H × 9	
3 5		Hex. socket button bolt M4 × 5		
3 6		Hex. socket bolt M8 × 18		
3 7		Hex. socket set screw M6 × 6		
3 8		Hex. socket set screw M4 × 6		
3 9		Hex. socket set screw M5 × 5		
4 0		Hex. nut M4 (H)		
4 1		Hex. socket bolt M3 × 8	H × 9	
4 2		Hex. socket set screw M1 × 1 (With adhesion)		
4 3		Hex. socket set screw M1 × 1	H × 1	

From the library of: Diamond Needle Corp

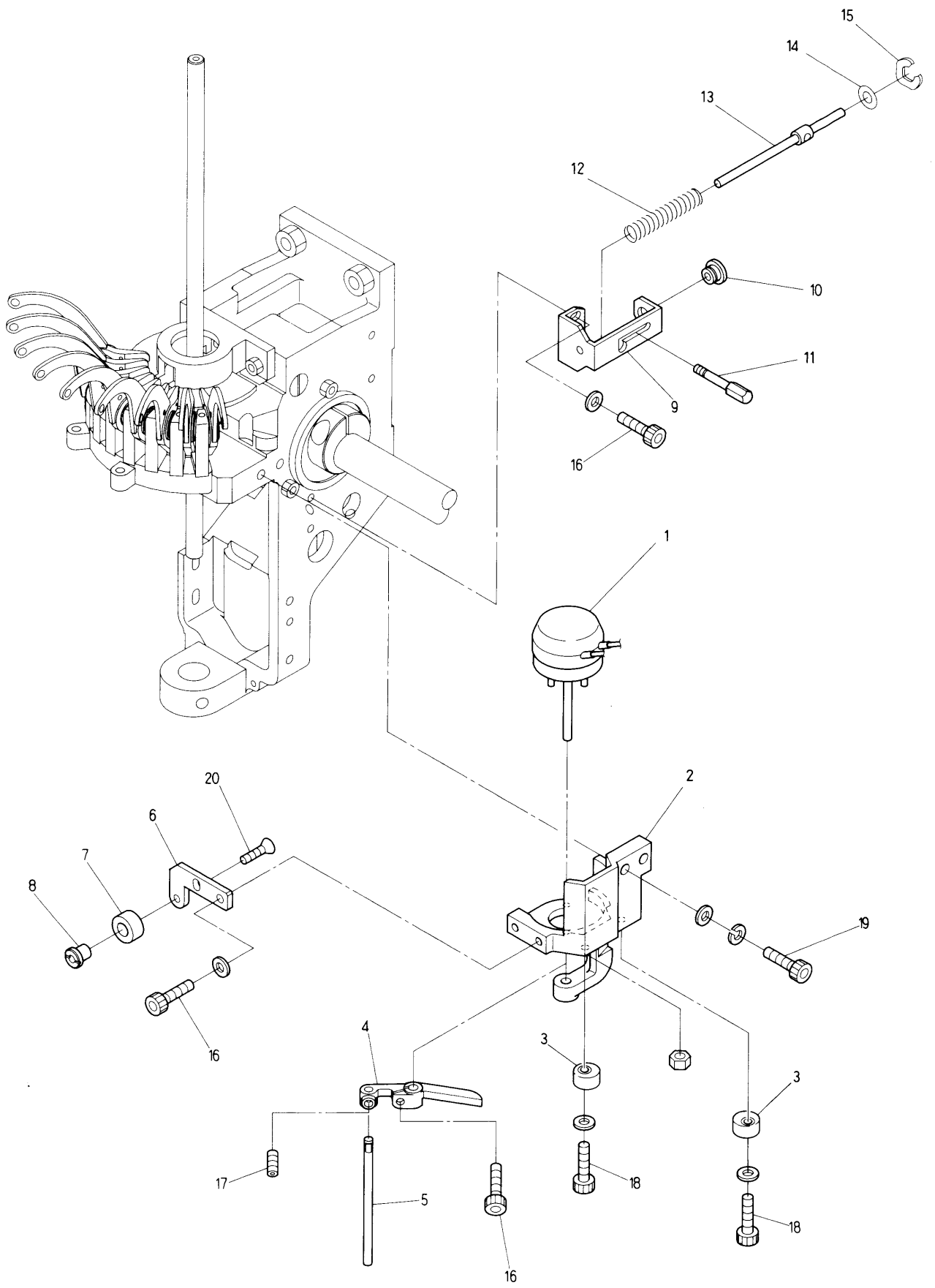


From the library of: Diamond Needle Corp

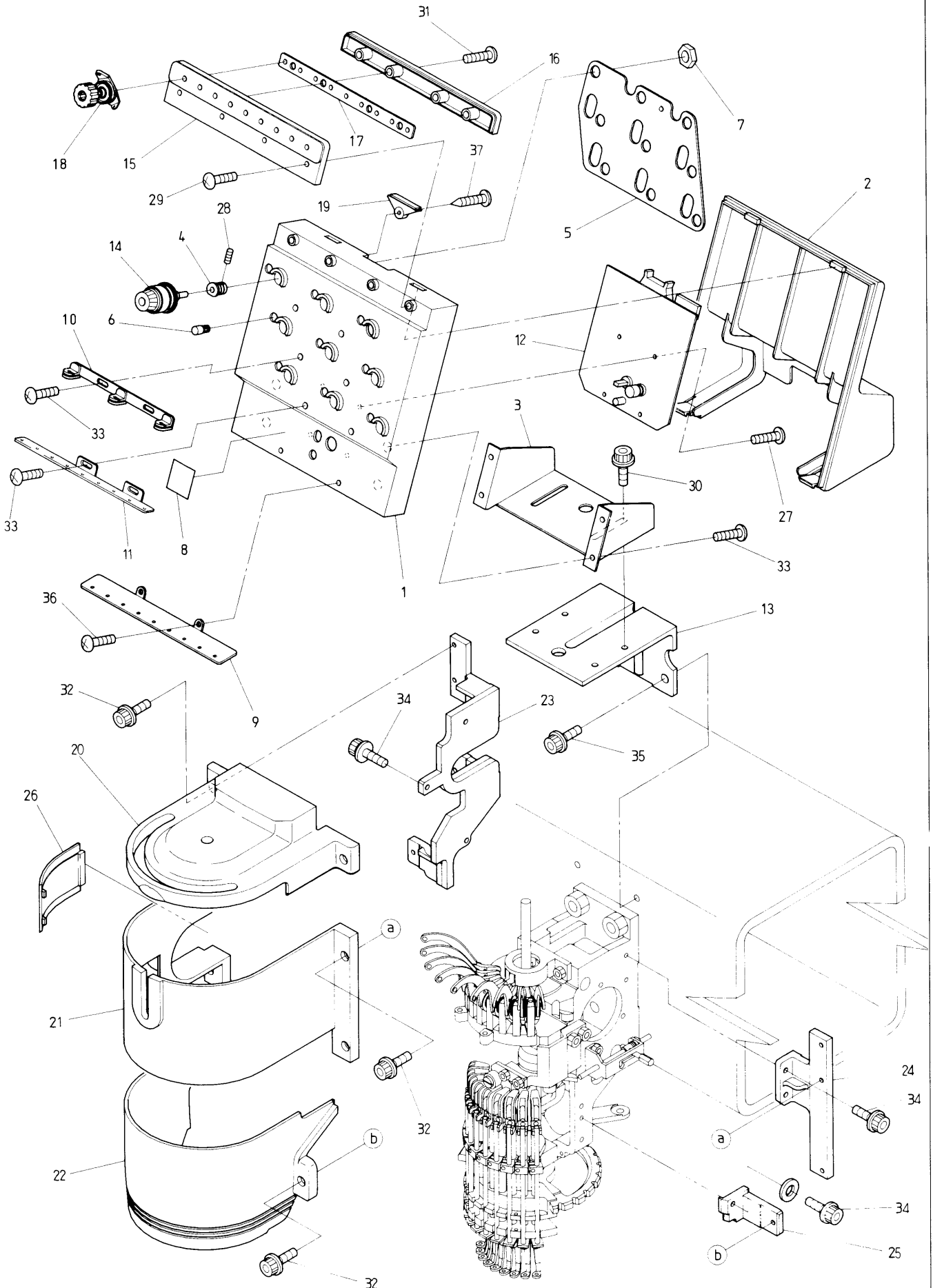


From the library of: Diamond Needle Corp

MODEL
BEMRH-YN
BEMSH-YN
BEMXH-YN

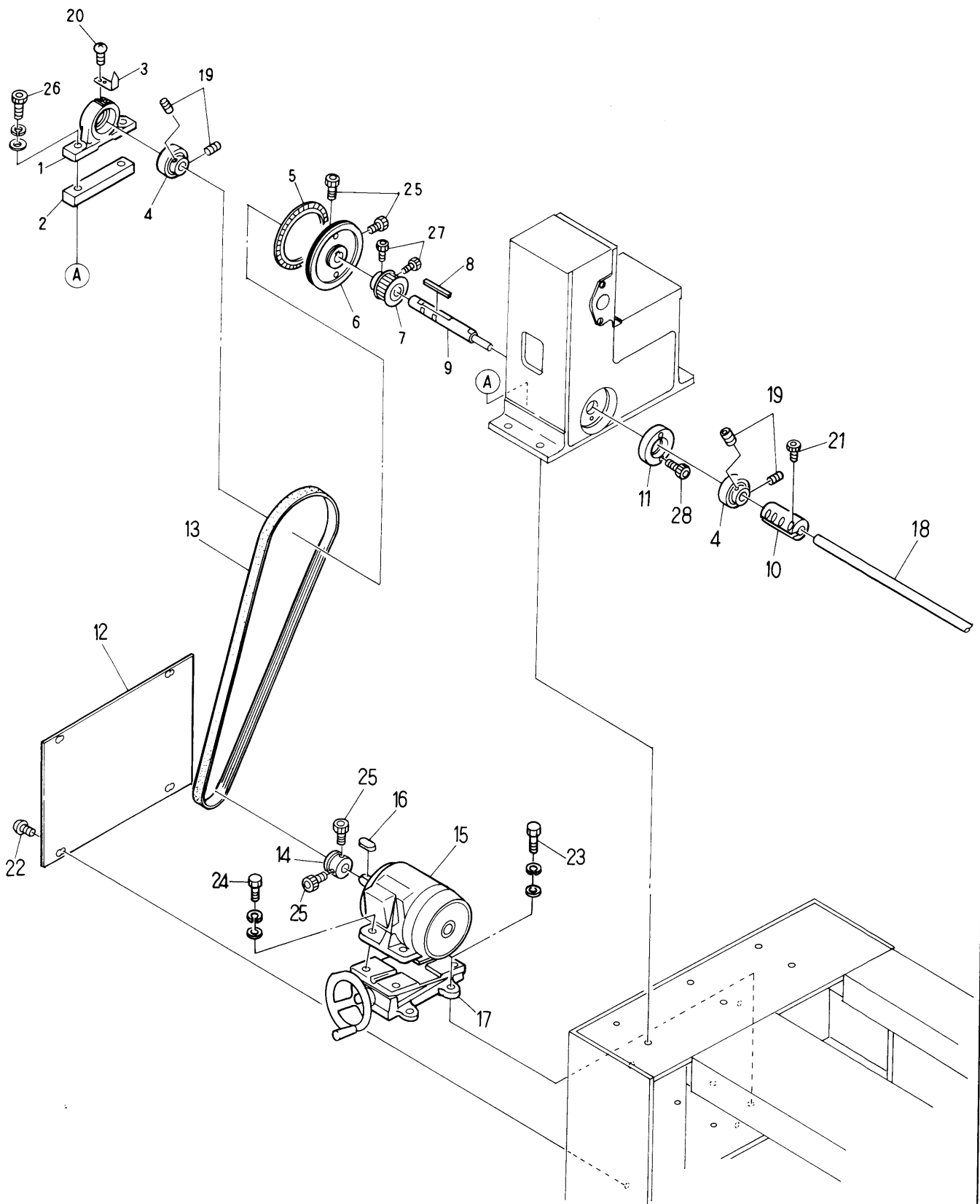


From the library of: Diamond Needle Corp



From the library of: Diamond Needle Corp

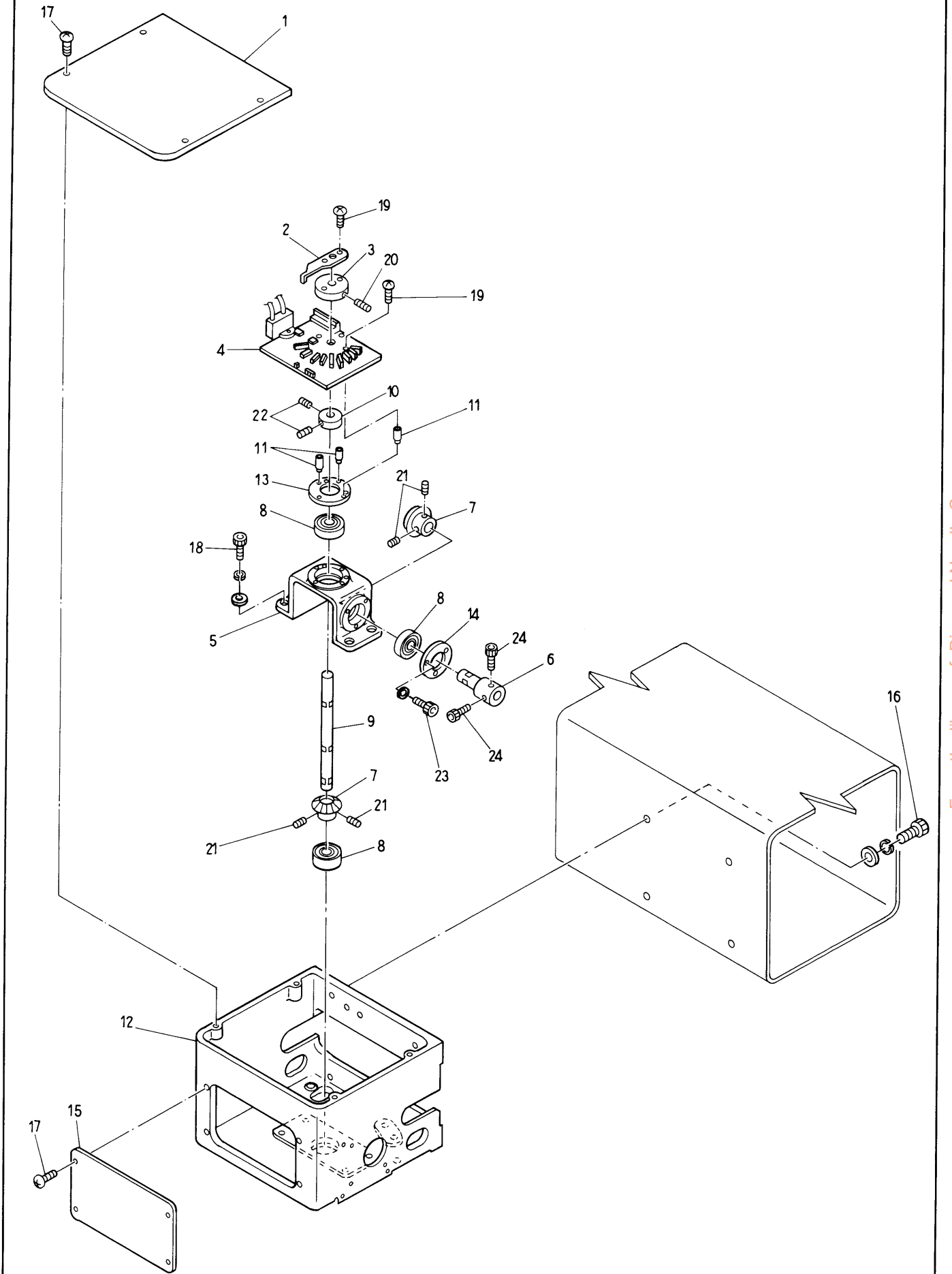
MODEL
BEMRH-YN
BEMSH-YN
BEMXH-YN



From the library of: Diamond Needle Corp

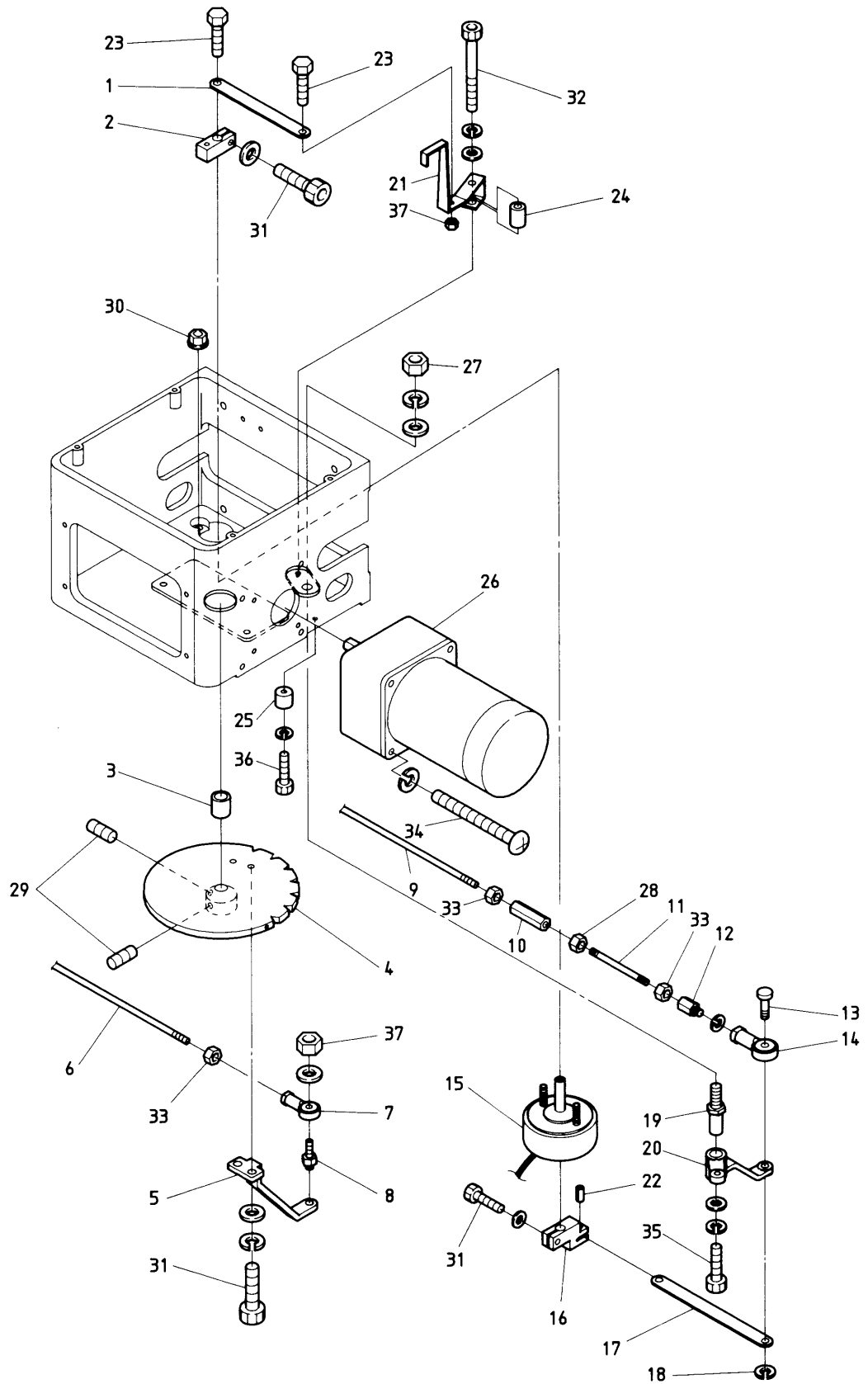
MODEL

BEMRH-YN
BEMSH-YN
BEMXH-YN

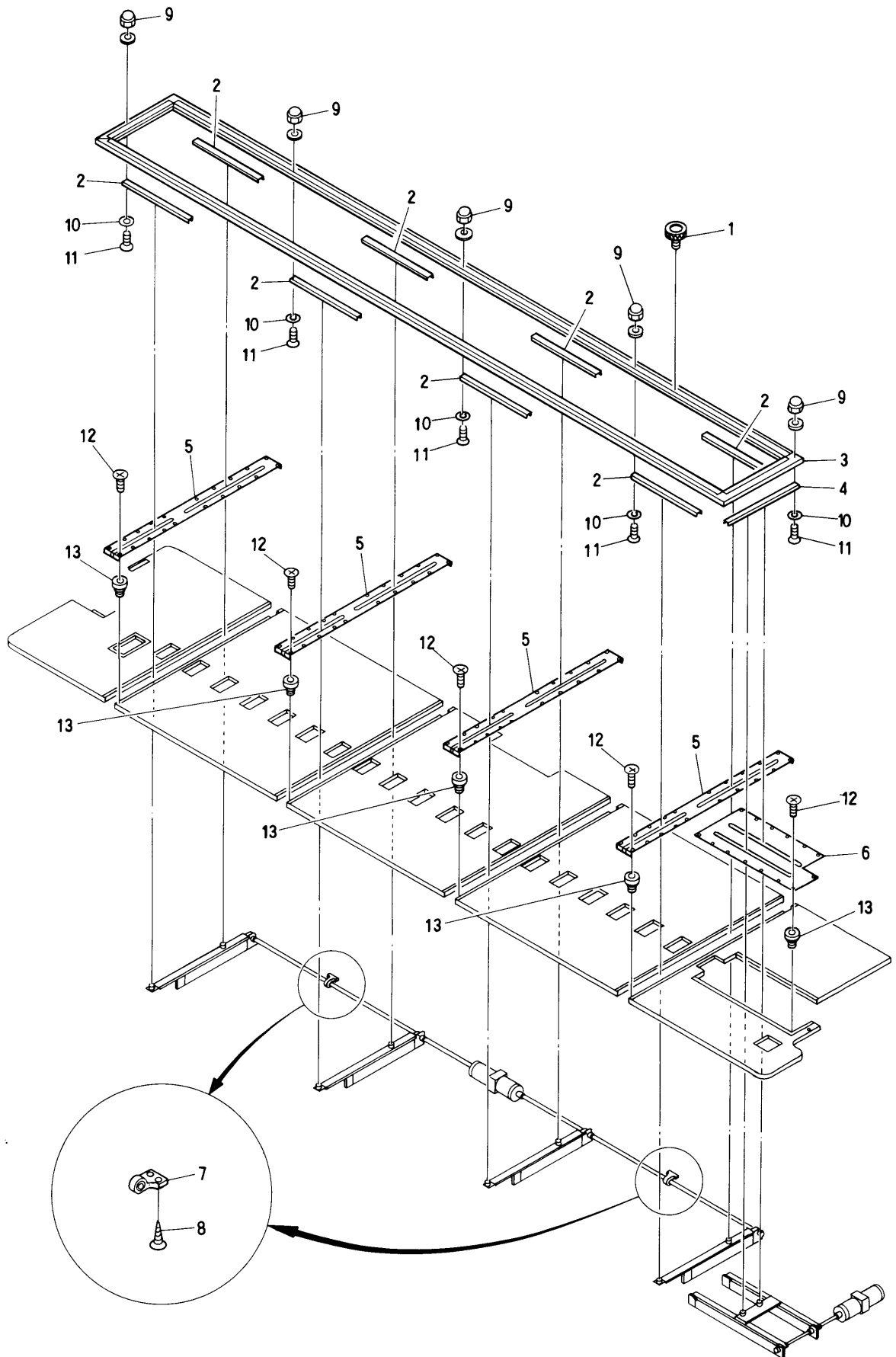


From the library of: Diamond Needle Corp

MODEL
BEMRH-YN
BEMSH-YN
BEMXH-YN

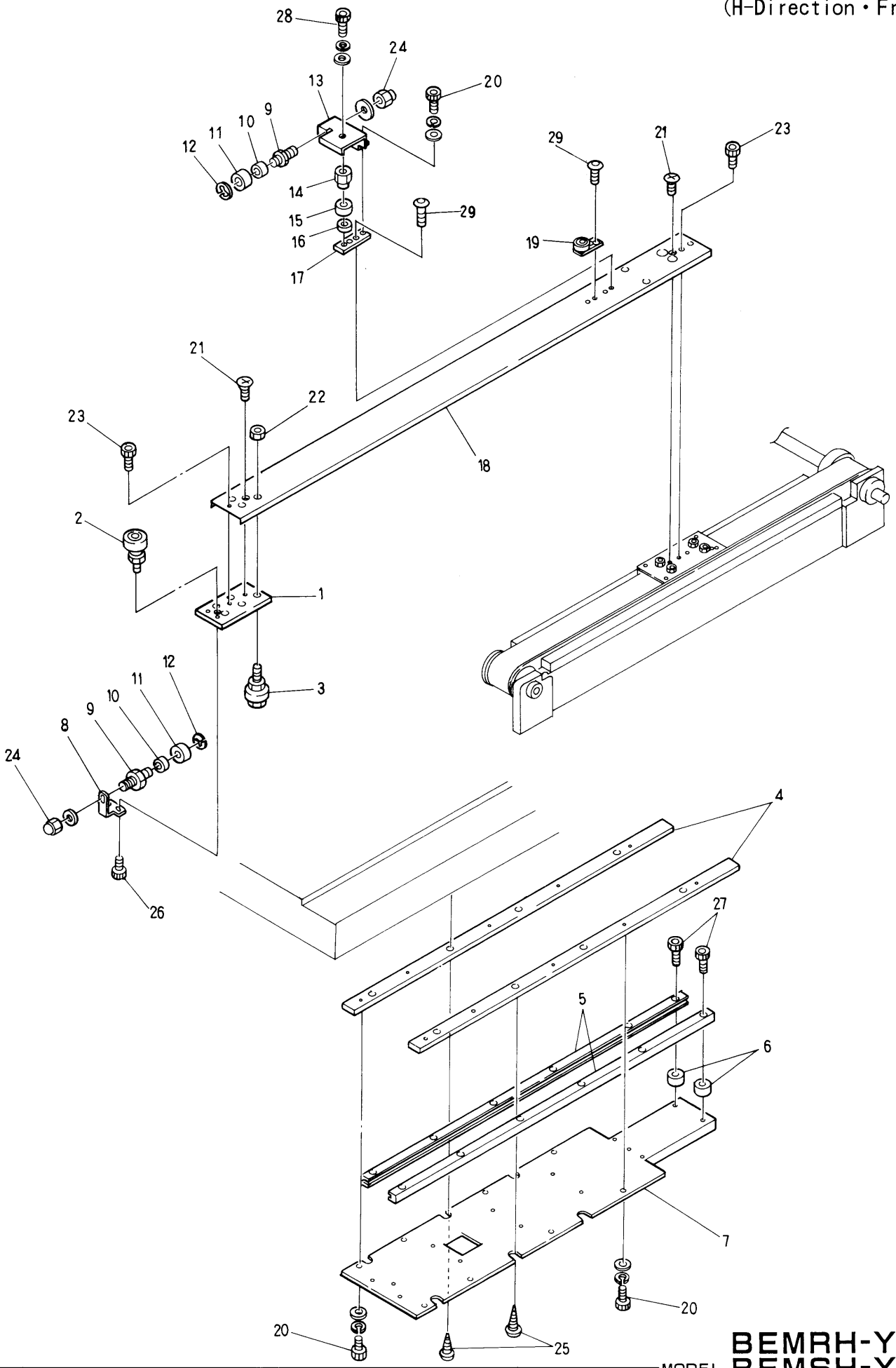


MODEL
BEMRH-YN
BEMSH-YN
BEMXH-YN



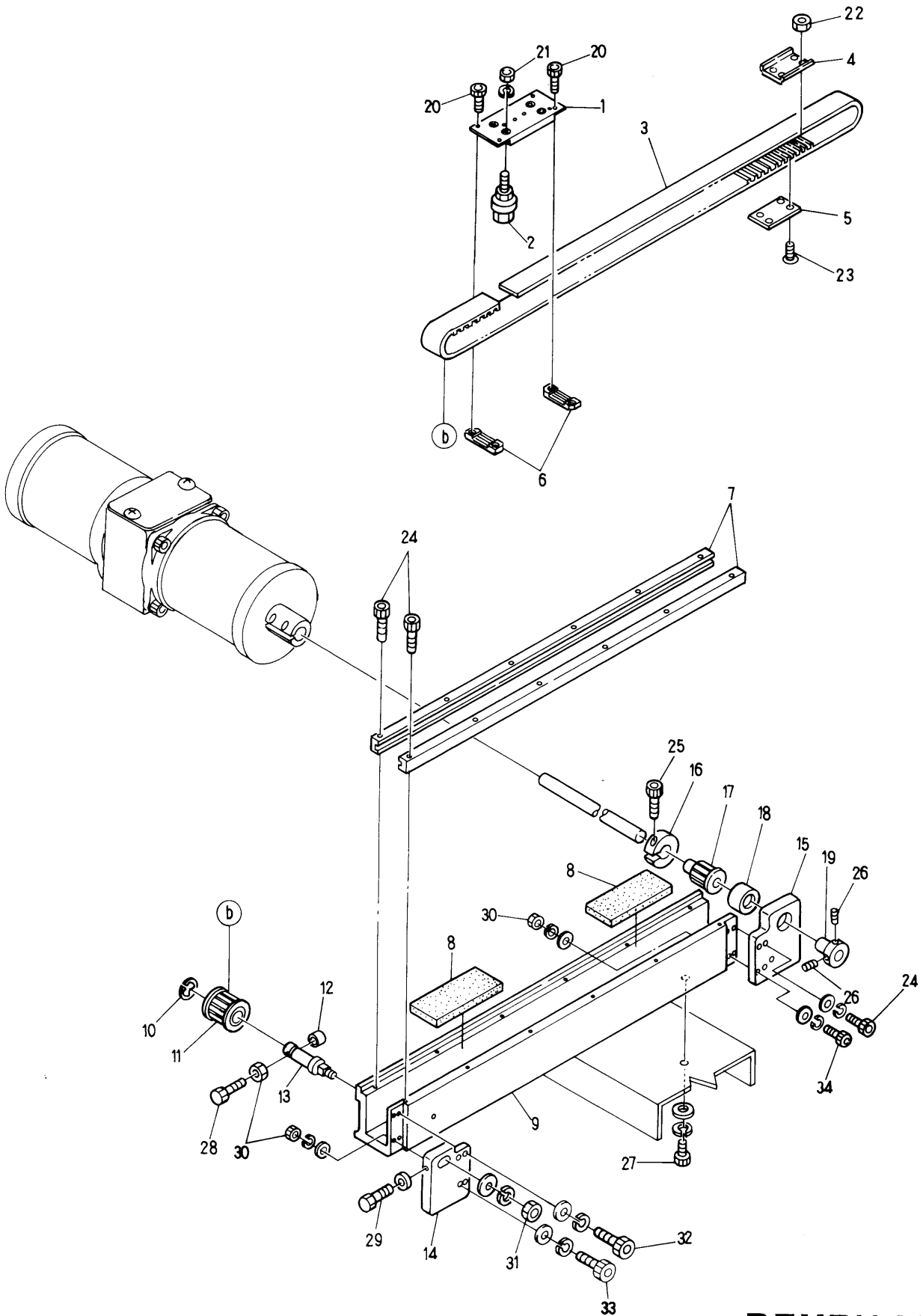
From the library of: Diamond Needle Corp

MODEL BEMRH-YN
BEMSH-YN
BEMXH-YN



From the library of: Diamond Needle Corp

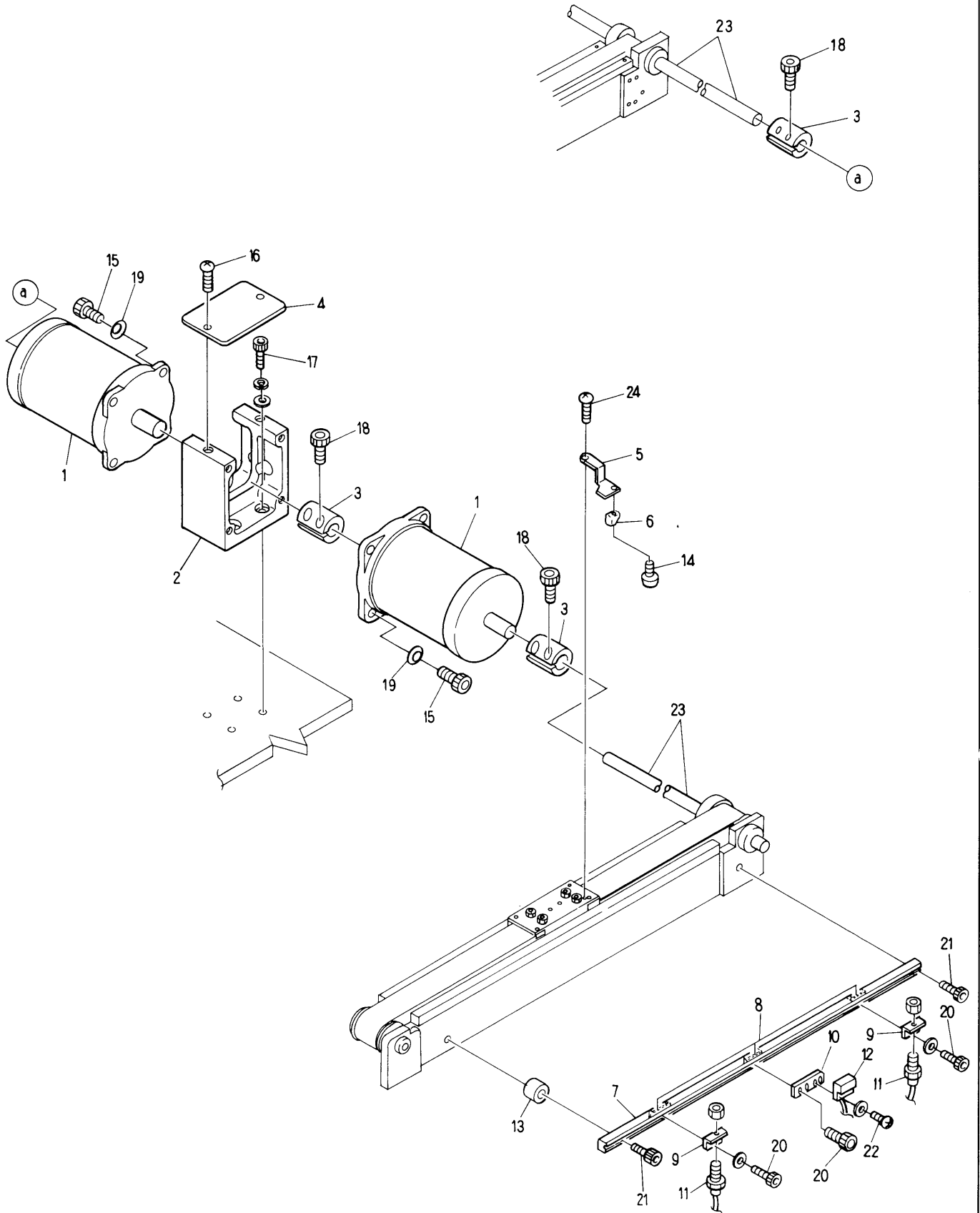
MODEL
BEMRH-YN
BEMSH-YN
BEMXH-YN



From the library of: Diamond Needle Corp

BEMRH-YN
BEMSH-YN
BEMXH-YN

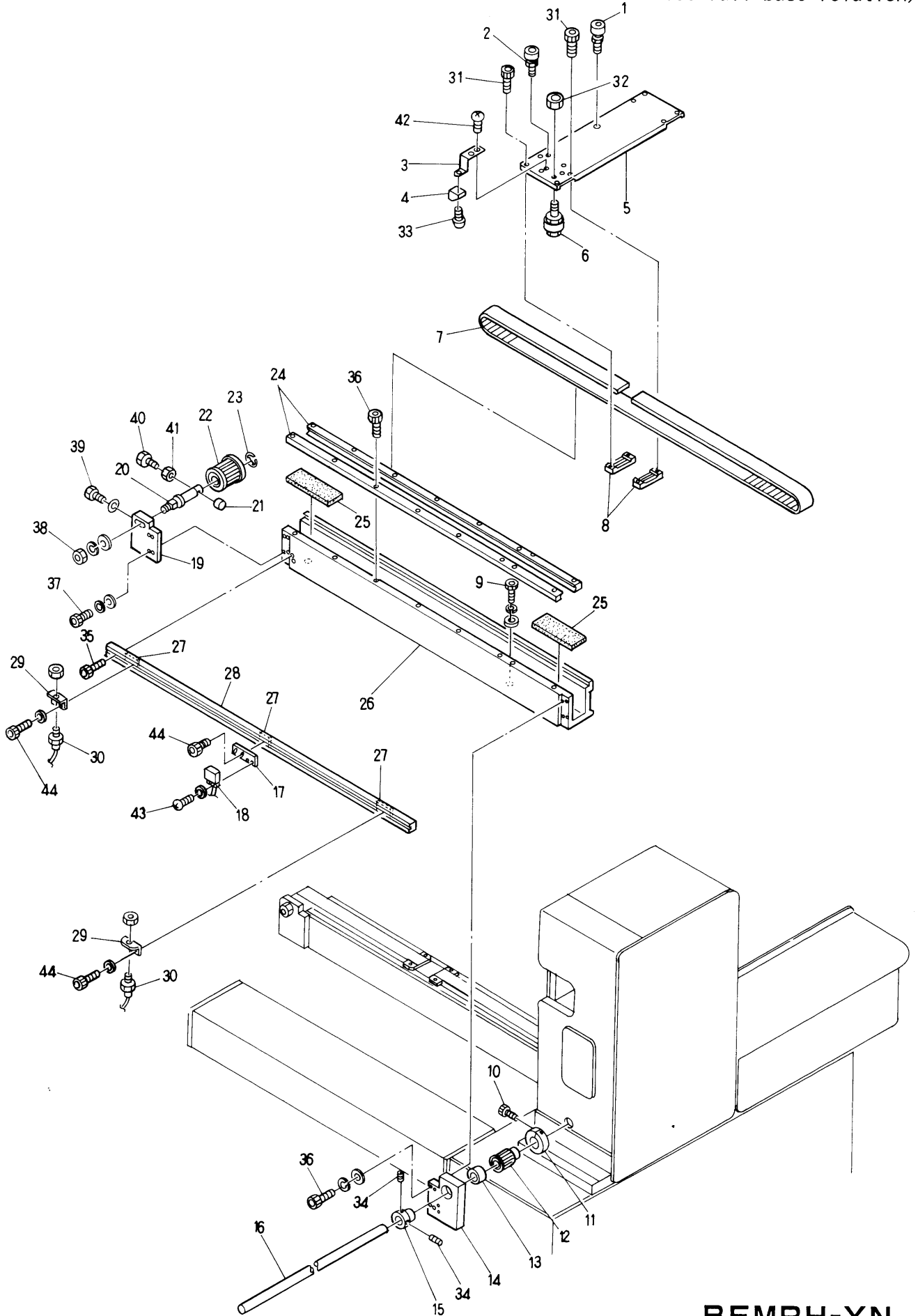
MODEL



From the library of: Diamond Needle Corp

MODEL
BEMRH-YN
BEMSH-YN
BEMXH-YN

①9 Pantograph drive mechanism V
(V-Direction • Guide rail base relation)



From the library of: Diamond Needle Corp

MODEL

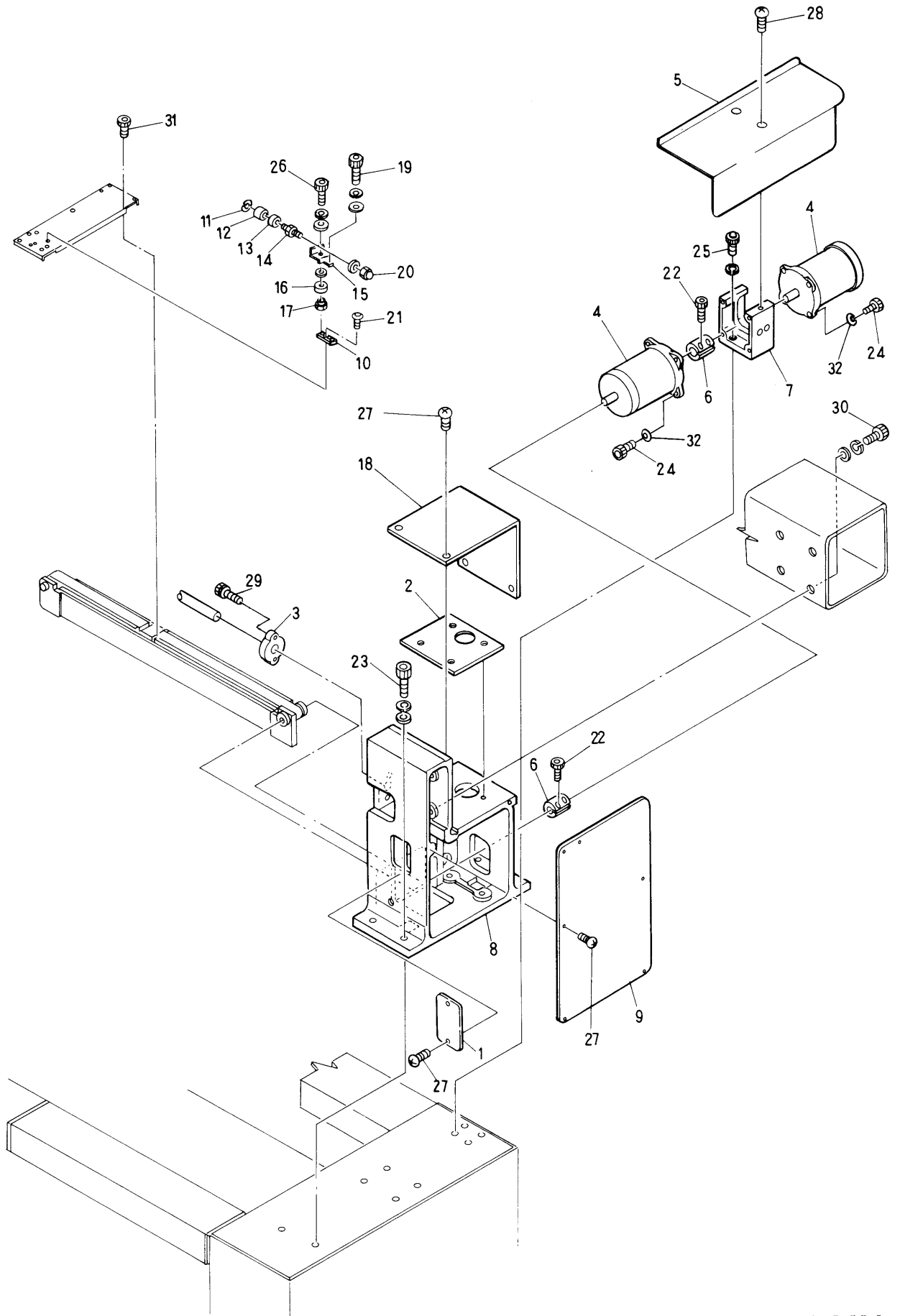
BEMRH-YN
BEMSH-YN
BEMXH-YN

⑱ Pantograph drive mechanism V (V-Direction · Guide rail base relation)

(※Change the LIST No. by machine type)

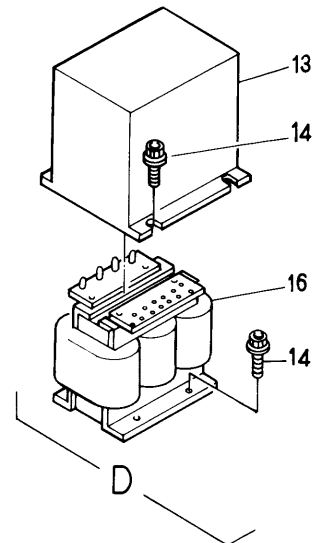
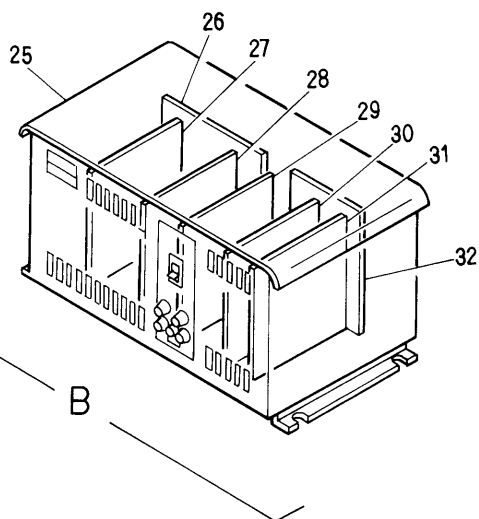
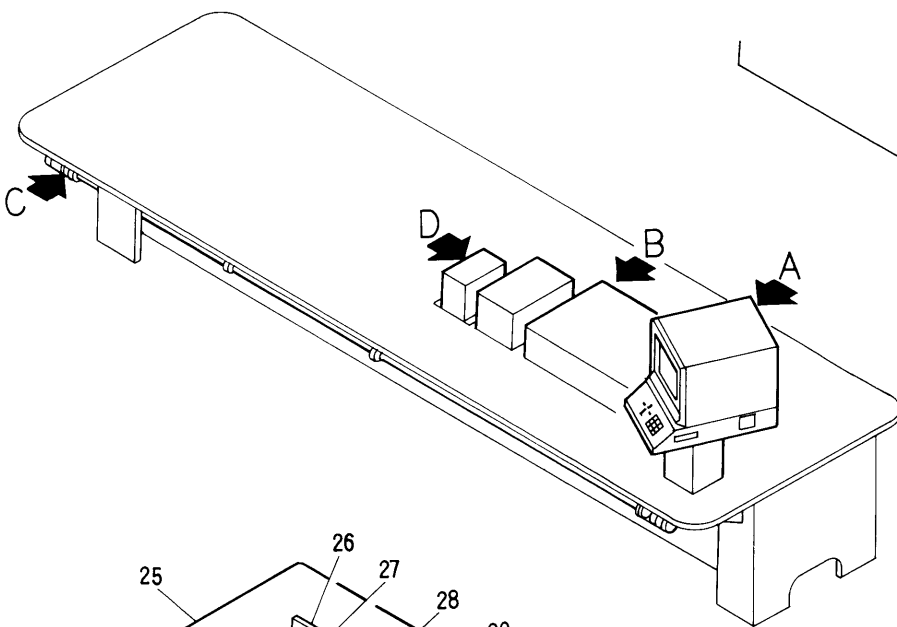
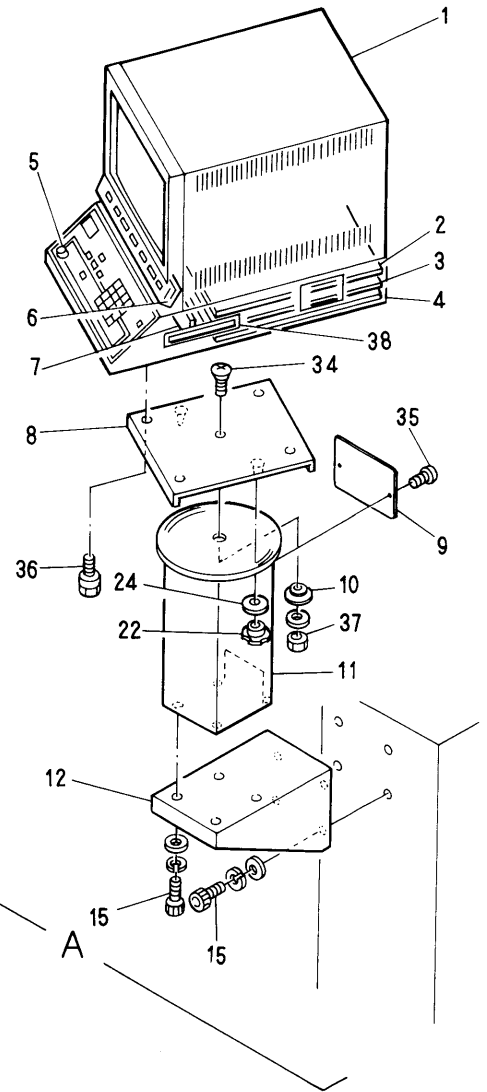
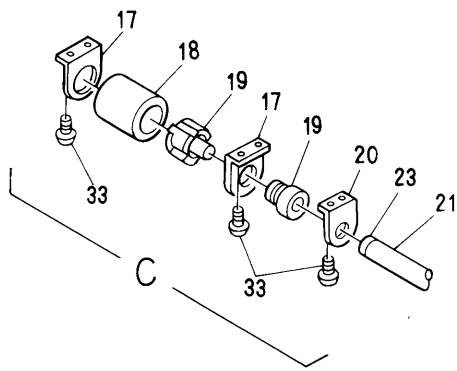
ITEM	LIST No.	DESCRIPTION	Q'TY	REMARK
1	HP483111	Slide bearing pin a'ssy (B)	1	
2	HP483370	Slide bearing pin a'ssy	1	
3	HP451100	V-Pantograph origin point magnet bracket	1	
4	A9052030	Magnet (M-102A-02)	1	
5	HP482892	V-Roller base	1	
6	HP482950	Roller pin a'ssy A	8	
7	A9020098	Timing belt (300S5M2000)	2	
8	HP482940	Timing belt set rack (5M)	4	
9	HH482031	Belt connecting plate No.1	2	
10	HH482041	Belt connecting plate No.2	2	
11	HH481980	Clamping $\phi 19$	2	
12	HP482990	Pantograph driving pulley (Rear) (S5M)	2	
13	A9011063	Needle bearing (TLA2016)	2	
14	HH482011	H-Guide rear pulley bracket	2	
15	HH481970	Pulse motor connecting shaft collar	2	
16		V-Pulsre motor connecting shaft	1	
17	KN450300	MH-601A Proximity switch fixing bracket	1	
18	A9052031	Magnetic proximity switch (MH-601A)	1	
19	HH482000	H-Guide front pulley bracket	2	
20	HH481991	Timing pulley shaft	2	
21	HH482110	Pulley shaft bolt cap	2	
22	HP482980	Pantograph driving pulley (Front) (S5M)	2	
23	A9012052	E-Ring ($\phi 10$)	2	
24	HP482910	V-Guide rail (L=1060)	4	
25	KN480061	Rail base felt (100×38×6)	4	
26	HP48217G530	V-Guide rail base (Stroke 530)	2	※
27	KU460270	Plate nut (M3)	3	
28	HP45112G530	V-Pantograph origin point rail (V530)	1	※
29	MT460240	RS-001 Bracket (V)	2	
30	A9052024	Switch (RS-001)	2	
31		Hex, socket bolt M3×6		
32		Hex, nut M5		
33		Truss screw M3×6		
34		Hex, nut M3		
35		Hex, socket bolt M4×8		
36		Hex, socket bolt M4×15		
37		Hex, socket bolt M4×18		
38		Hex, nut M8		
39		Hex, bolt M4×25		
40		Hex, bolt M4×35		
41		Hex, nut M4		
42		Flush screw M4×8 (Undercut)		
43		Truss screw M3×10		
44		Hex, socket bolt M3×8		

From the library of: Diamond Needle Corp



From the library of: Diamond Needle Corp

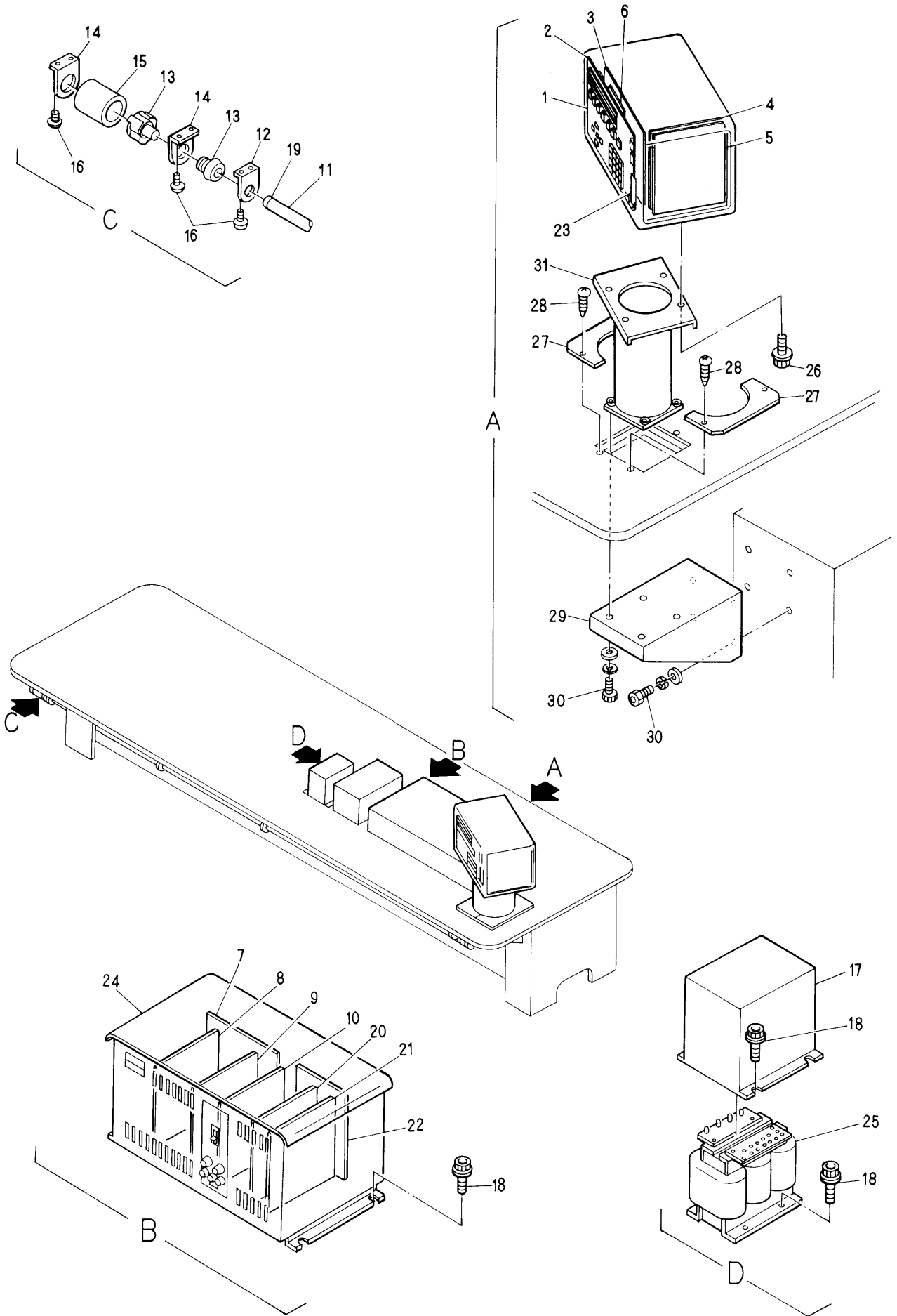
MODEL
BEMRH-YN
BEMSH-YN
BEMXH-YN



From the library of: Diamond Needle Corp

N MODEL

BEMRH-YN
BEMSH-YN
BEMXH-YN

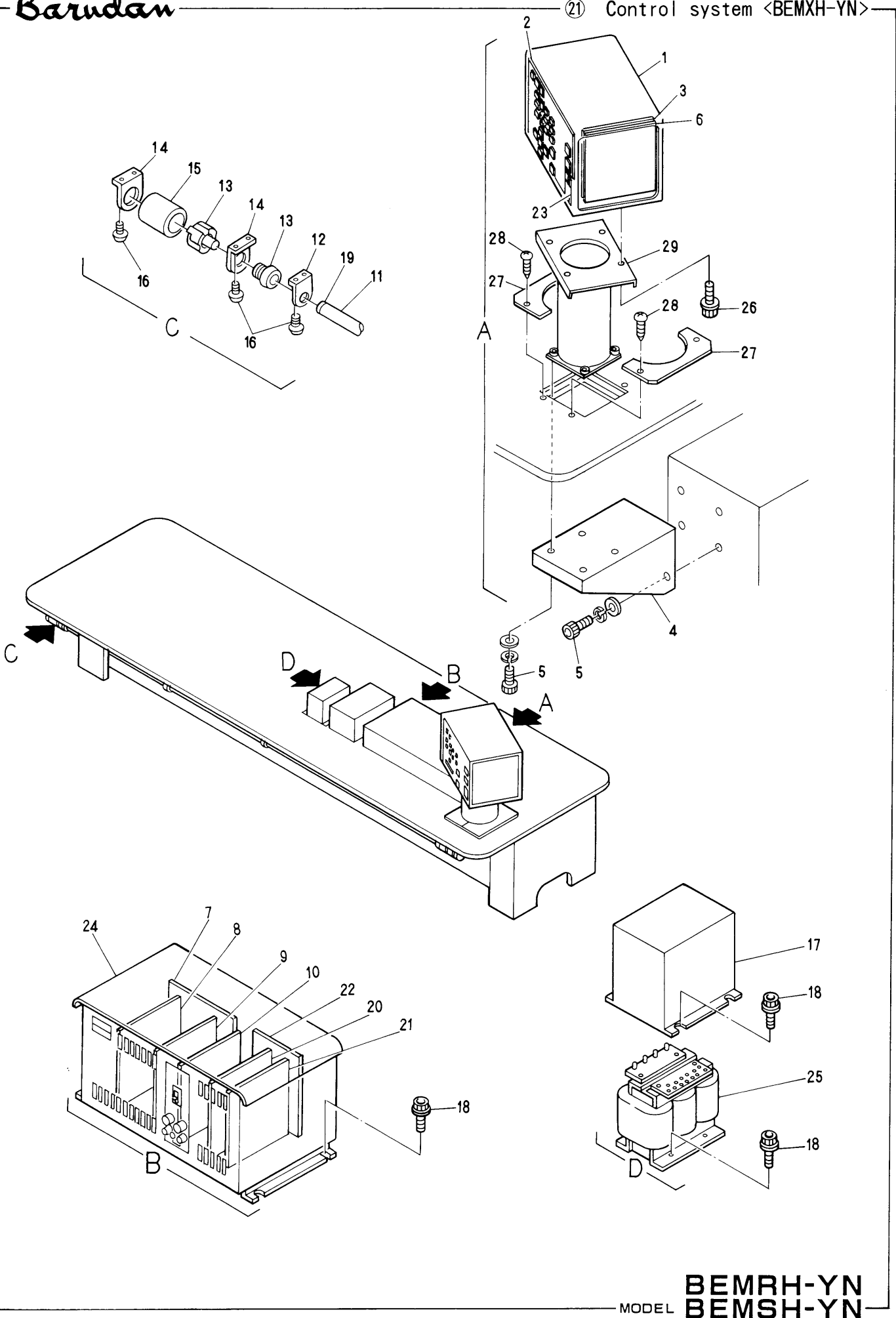


From the library of: Diamond Needle Corp

MODEL
 BEMRH-YN
 BEMSH-YN
 BEMXH-YN

Barudan

②1 Control system <BEMXH-YN>

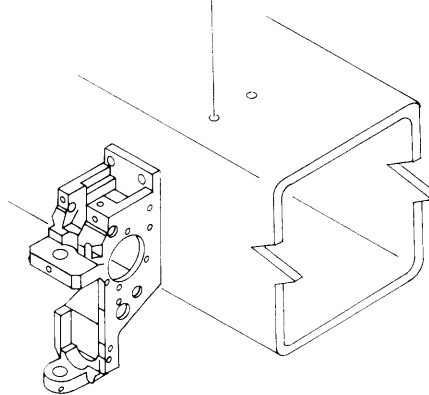
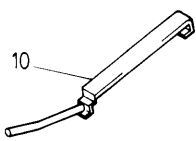
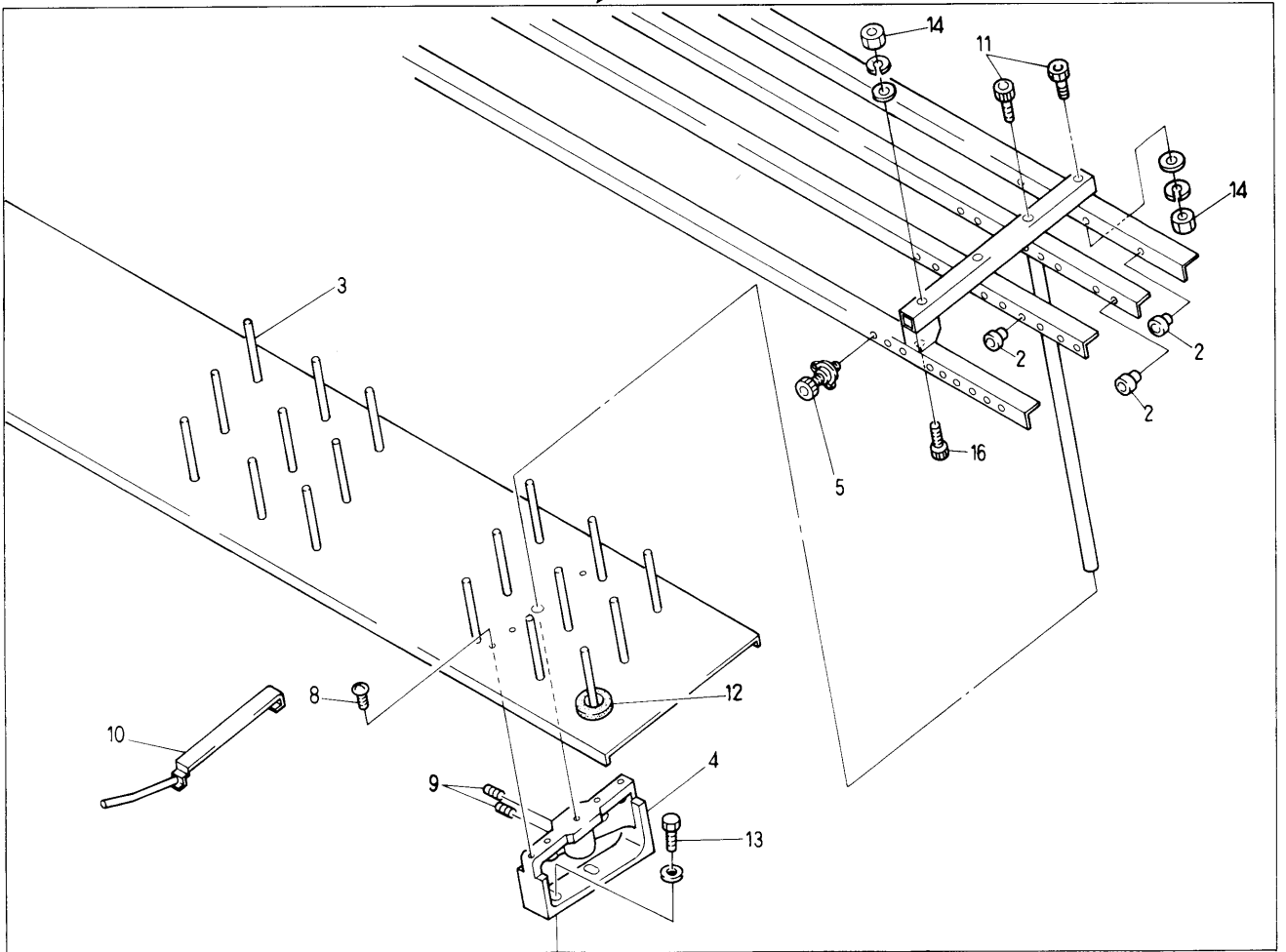
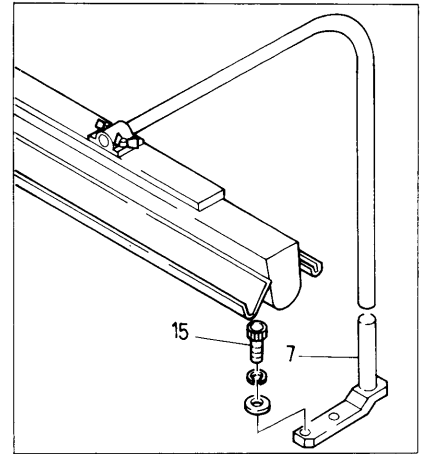
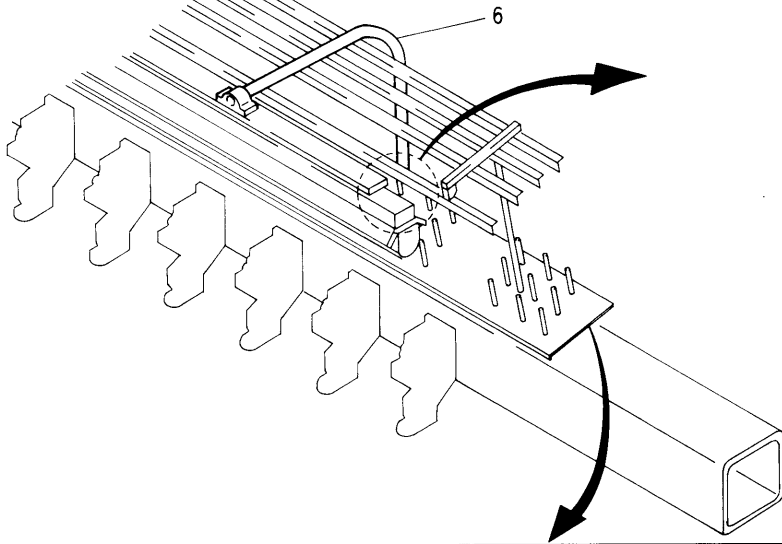


From the library of: Diamond Needle Corp

MODEL
BEMRH-YN
BEMSH-YN
BEMXH-YN

Barudan

②② Option

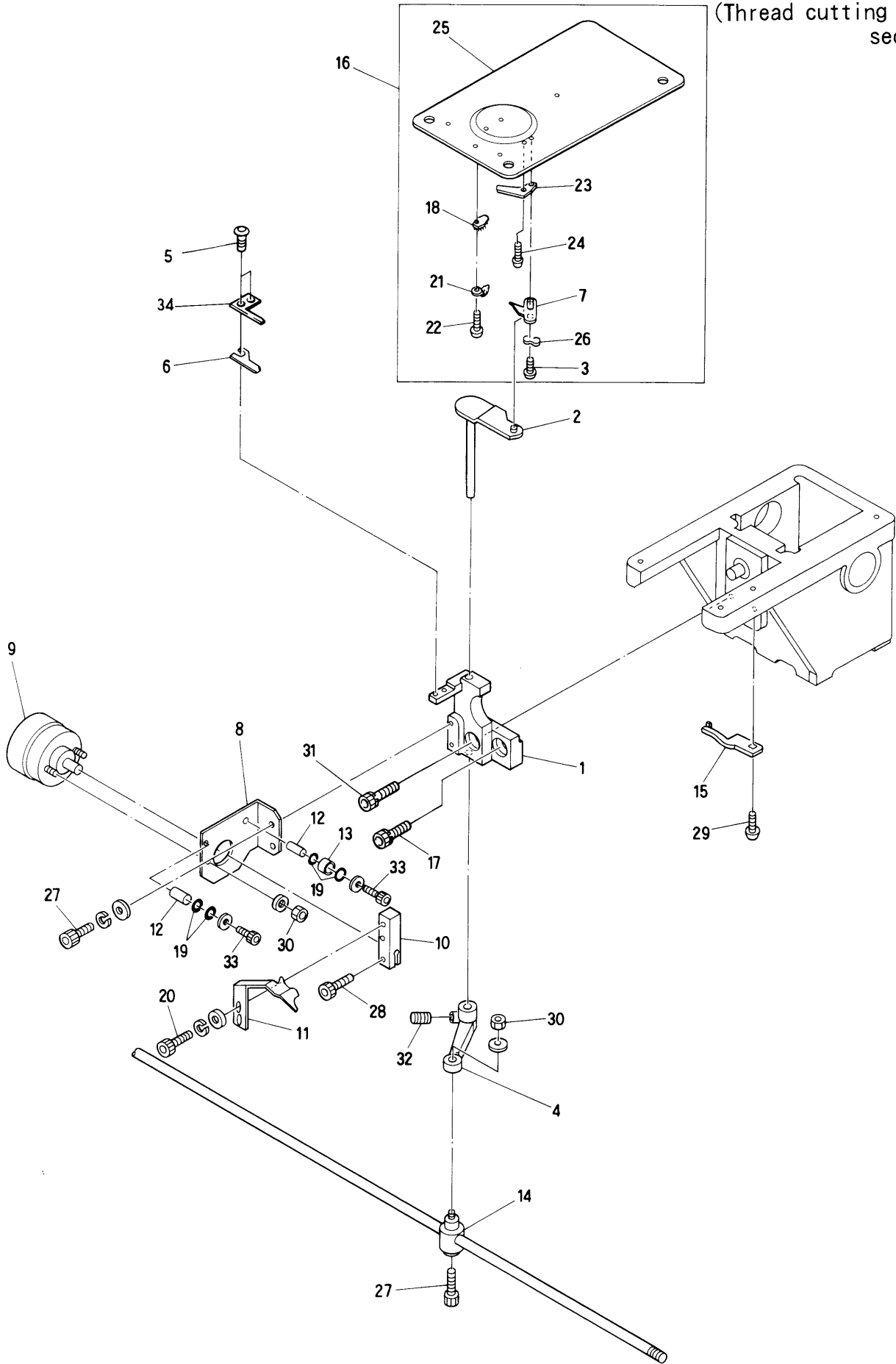


MODEL

BEMRH-YN
BEMSH-YN
BEMXH-YN

Barudan

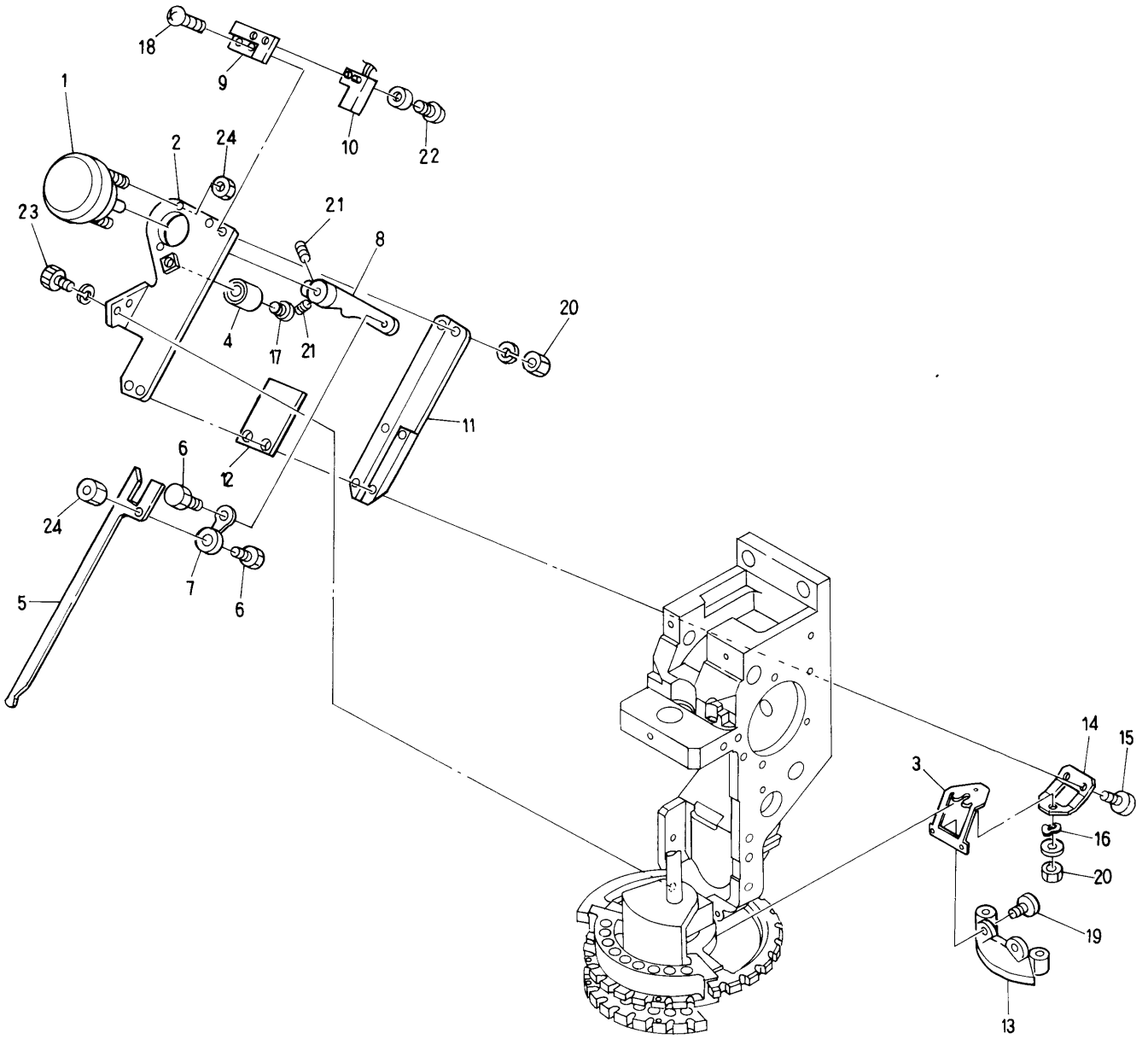
②③ Thread cutting mechanism I
(Thread cutting section)



From the library of: Diamond Needle Corp

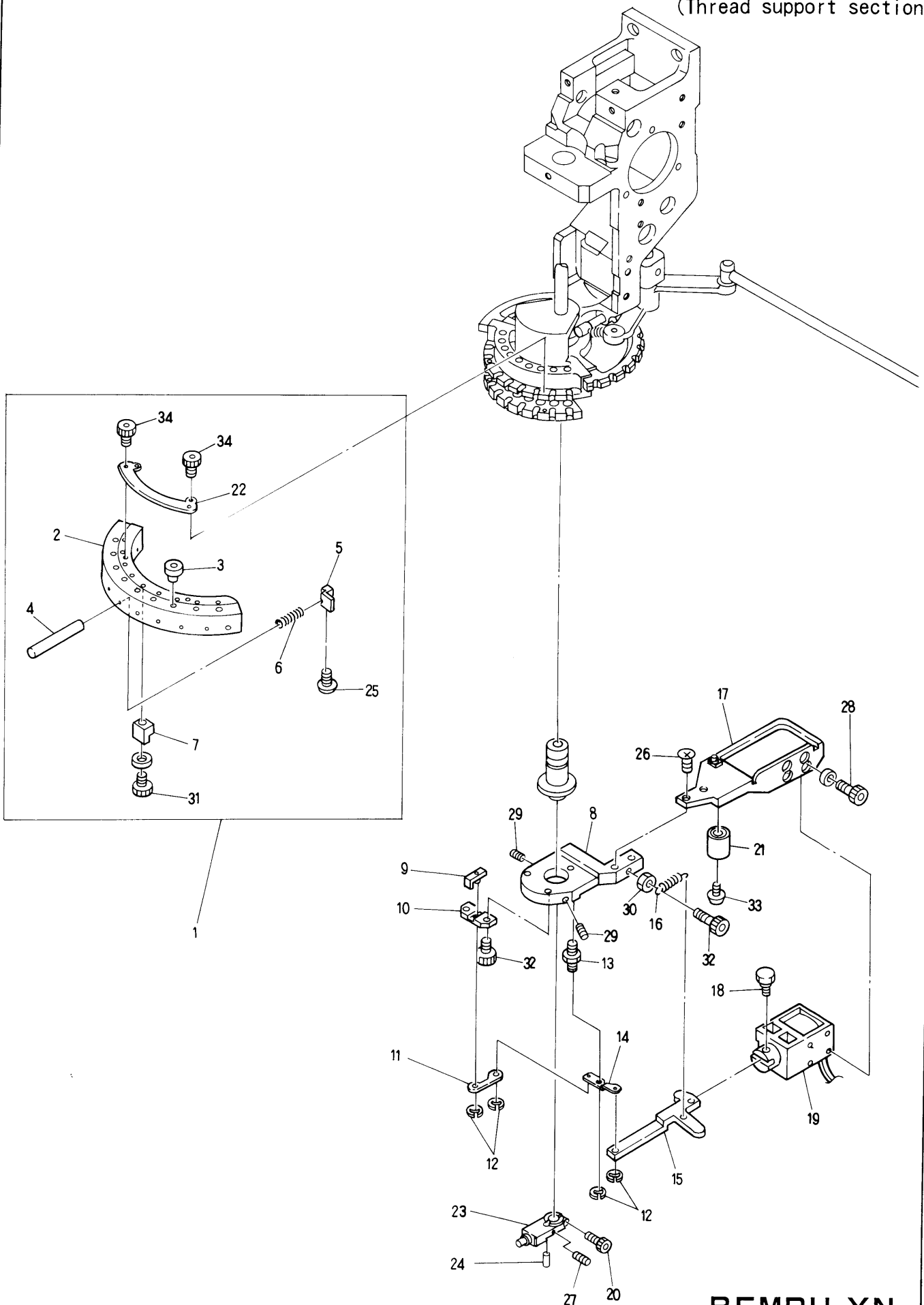
BEMRH-YN
BEMSH-YN
BEMXH-YN

MODEL



From the library of: Diamond Needle Corp

MODEL
BEMRH-YN
BEMSH-YN
BEMXH-YN



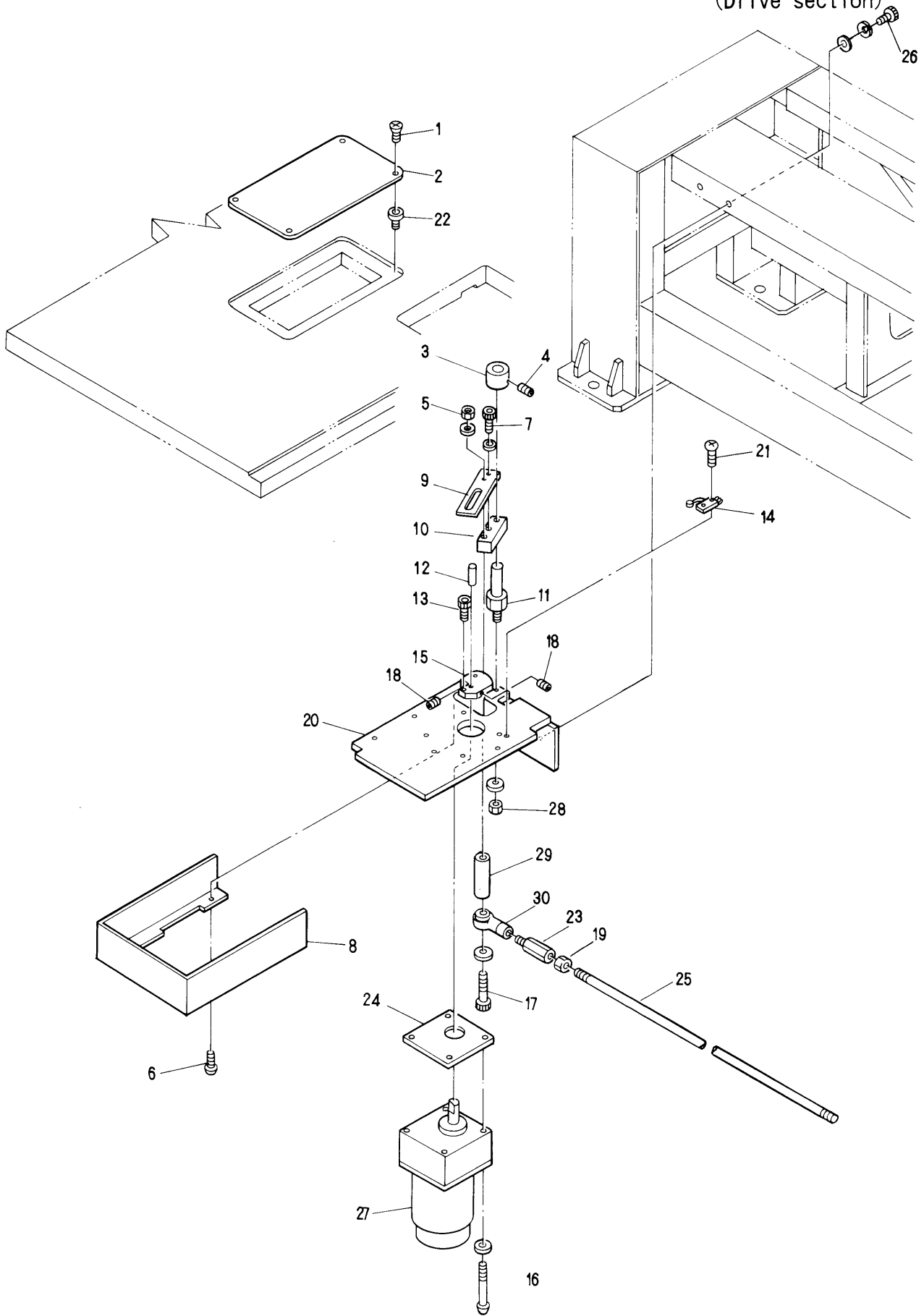
From the library of: Diamond Needle Corp

MODEL
BEMRH-YN
BEMSH-YN
BEMXH-YN

Barudan

②⑥ Thread cutting mechanism IV

(Drive section)

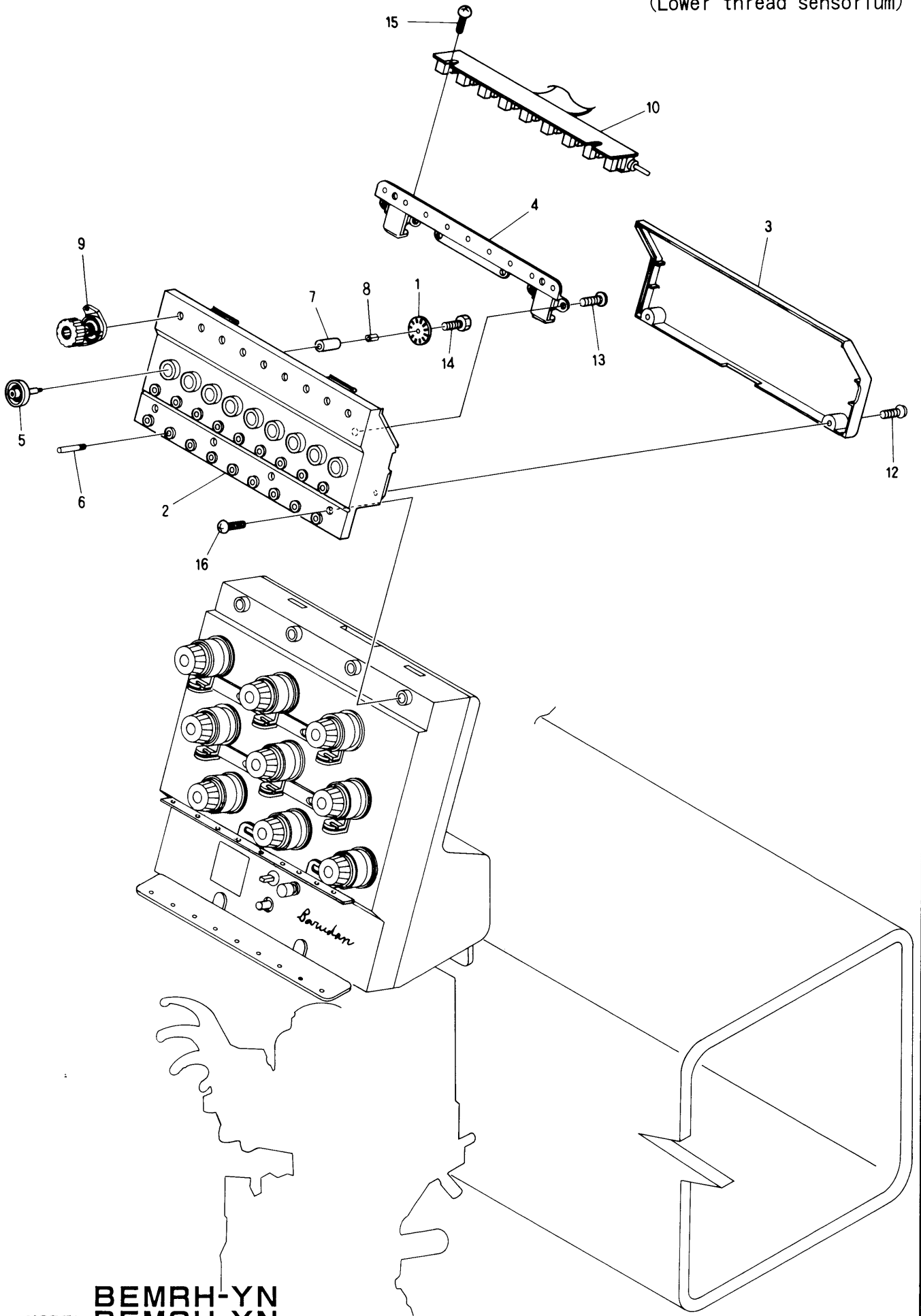


MODEL

BEMRH-YN
BEMSH-YN
BEMXH-YN

Barudan

②7 Thread guide mechanism
(Lower thread sensorium)



From the library of: Diamond Needle Corp

MODEL

BEMRH-YN
BEMSH-YN
BEMXH-YN

I N D E X

L I S T	No.	P A G E No.	ITEM	L I S T	No.	P A G E No.	ITEM
1AHB2024053045G		3	4	A 9 0 1 2 3 6 7		1 5	2 7
1BHB2024053045G		3	1 7	A 9 0 1 2 3 6 8		1 5	1 7
1EHB20240530N		3	2 6	A 9 0 1 3 0 4 5		5 1	2 6
1FM2024053045G		3 1	3	A 9 0 1 4 0 2 2		5	1 8
1 J P 2 0 2 4 0		4 9	1	A 9 0 1 4 0 5 1		1 9	1 4
1KHB2024053045G		3	1	A 9 0 1 4 0 5 5		1 3	1 6
1SHB20240530J		3	7	A 9 0 2 0 0 9 8		3 5	3
A 9 0 1 0 0 0 1		2 7	8	A 9 0 2 0 0 9 8		3 9	7
A 9 0 1 0 0 1 7		9	1 5	A 9 0 2 0 1 3 1		2 5	2 1
A 9 0 1 0 1 0 0		7	4	A 9 0 2 0 2 0 3		2 3	1 3
A 9 0 1 0 1 0 1		7	3	A 9 0 5 2 0 0 5		5 7	1 4
A 9 0 1 0 1 0 2		7	5	A 9 0 5 2 0 2 4		3 7	1 1
A 9 0 1 1 0 2 1		1 1	5	A 9 0 5 2 0 2 4		3 9	3 0
A 9 0 1 1 0 2 1		1 3	1 9	A 9 0 5 2 0 2 8		5 3	1 0
A 9 0 1 1 0 2 2		1 3	2 0	A 9 0 5 2 0 3 0		3 7	6
A 9 0 1 1 0 2 3		1 3	1 8	A 9 0 5 2 0 3 0		3 9	4
A 9 0 1 1 0 3 5		2 5	3	A 9 0 5 2 0 3 1		3 7	1 2
A 9 0 1 1 0 4 0		2 3	4	A 9 0 5 2 0 3 1		3 9	1 8
A 9 0 1 1 0 4 0		2 5	1 7	A 9 0 5 6 0 1 0		5 1	9
A 9 0 1 1 0 6 3		3 5	1 8	A 9 0 5 6 0 1 1		2 9	1 5
A 9 0 1 1 0 6 3		3 9	1 3	A 9 0 5 6 0 1 3		5 5	1 9
A 9 0 1 1 1 1 1		5	2 7	A 9 0 5 6 0 1 8		5 3	1
A 9 0 1 1 1 1 1		7	2	A 9 0 5 6 0 2 0		1 9	1
A 9 0 1 1 1 5 2		1 1	4	A 9 0 6 5 0 2 8		5 7	2 7
A 9 0 1 2 0 0 1		2 9	7	E A Y 0 1 7 A 1		4 3	1
A 9 0 1 2 0 0 2		2 9	1 4	E A Y 0 1 7 A 2		4 3	2 5
A 9 0 1 2 0 0 2		5 7	3 0	E A Y 0 1 7 A 3		4 3	1 6
A 9 0 1 2 0 5 1		1 9	1 5	E A Y 0 1 8 A 3		4 3	1 6
A 9 0 1 2 0 5 2		3 5	1 0	E A Y 0 2 1 A 1		4 5	1
A 9 0 1 2 0 5 2		3 9	2 3	E A Y 0 2 1 A 3		4 5	2 5
A 9 0 1 2 0 5 3		1 3	3 3	E A Y 0 2 1 A 3		4 7	2 5
A 9 0 1 2 0 5 5		2 9	1 8	E A Y 0 2 2 A 3		4 5	2 5
A 9 0 1 2 0 5 6		5 5	1 2	E A Y 0 2 2 A 3		4 7	2 5
A 9 0 1 2 0 6 8		2 5	1 0	E A Y 0 2 3 A 1		4 7	1
A 9 0 1 2 1 2 6		3 3	1 0	E B Y 0 0 4 5 0		4 3	2
A 9 0 1 2 1 2 6		4 1	1 3	E B Y 0 0 4 6 0		4 3	3
A 9 0 1 2 1 2 7		3 3	1 2	E B Y 0 0 4 7 0		4 3	4
A 9 0 1 2 1 2 7		4 1	1 1	E B Y 0 0 4 8 0		4 3	7
A 9 0 1 2 1 4 3		2 9	2 2	E B Y 0 0 4 9 0		4 3	5
A 9 0 1 2 1 5 4		5	3	E B Y 0 0 5 0 0		4 3	6
A 9 0 1 2 1 6 3		9	1 6	E B Y 0 0 5 1 0		4 3	3 1
A 9 0 1 2 1 6 4		1 5	1 0	E B Y 0 0 5 1 0		4 5	2 1
A 9 0 1 2 1 6 6		2 5	1 3	E B Y 0 0 5 1 0		4 7	2 1
A 9 0 1 2 2 1 3		3	5	E B Y 0 0 5 2 0		4 3	3 0
A 9 0 1 2 2 1 9		3 7	1 3	E B Y 0 0 5 2 0		4 5	2 0

From the library of: Diamond Needle Corp

I N D E X

L I S T	No.	P A G E No.	I T E M	L I S T	No.	P A G E No.	I T E M
E B Y 0 0 5 2 0		4 7	2 0	H B 2 3 0 0 6 2		9	9
E B Y 0 0 5 3 0		4 3	2 8	H B 2 3 0 0 7 0		9	8
E B Y 0 0 5 3 0		4 5	9	H B 2 3 0 0 8 0		9	7
E B Y 0 0 5 3 0		4 7	9	H B 2 3 0 1 1 1		9	5
E B Y 0 0 5 4 0		4 3	2 7	H B 2 3 0 1 6 0		1 5	1 1
E B Y 0 0 5 4 0		4 5	8	H B 2 3 0 1 8 0		1 3	2 4
E B Y 0 0 5 4 0		4 7	8	H B 2 3 0 1 9 0		1 3	3
E B Y 0 0 5 5 0		4 3	2 9	H B 2 3 0 2 2 0		1 7	1 4
E B Y 0 0 5 5 0		4 5	1 0	H B 2 3 0 2 4 1		1 7	9
E B Y 0 0 5 5 0		4 7	1 0	H B 2 3 0 2 6 1		1 7	8
E B Y 0 0 5 6 0		4 3	3 2	H B 2 3 0 2 7 1		1 7	7
E B Y 0 0 5 6 0		4 5	2 2	H B 2 3 0 2 8 1		1 7	1 2
E B Y 0 0 5 6 0		4 7	2 2	H B 2 3 0 3 2 0		9	3
E B Y 0 0 5 7 0		4 3	2 6	H B 2 3 0 3 3 0 - 1		9	4
E B Y 0 0 5 7 0		4 5	7	H B 2 3 0 3 3 0 - 2		9	2
E B Y 0 0 5 7 0		4 7	7	H B 2 3 0 3 4 1		9	1 2
E B Y 0 0 6 3 0		4 3	3 8	H B 2 3 0 3 5 0		1 7	1 0
E B Y 0 0 6 3 0		4 5	2 3	H B 2 3 0 3 6 0		1 7	1 1
E B Y 0 0 6 3 0		4 7	2 3	H B 2 3 0 4 9 3		9	9
E B Y 0 0 9 3 0		4 7	2	H B 2 3 0 6 5 0		9	2 1
E B Y 0 0 9 4 0		4 5	4	H B 2 3 0 6 8 1		9	2 3
E B Y 0 0 9 4 0		4 7	3	H B 2 3 0 6 9 1		9	2 3
E B Y 0 0 9 5 0		4 5	5	H B 2 3 0 7 0 1		1 7	6
E B Y 0 0 9 5 0		4 7	6	H B 2 3 0 7 1 0		9	2 4
E B Y 0 0 9 7 0		4 5	3	H B 2 3 0 7 5 0		1 1	1 2
E B Y 0 0 9 8 0		4 5	6	H B 2 3 0 7 9 1		1 3	7
E B Y 0 0 9 9 0		4 5	2	H B 2 3 0 8 0 0		9	2 0
E B Y 0 1 1 1 0		2 1	1 2	H B 2 4 0 0 1 1		1 9	2
E B Y 0 1 1 2 0		2 7	4	H B 2 4 0 0 2 0		1 9	4
E B Y 0 2 1 A 2		4 5	2 4	H B 2 4 0 0 3 0		1 9	5
E B Y 0 2 1 A 2		4 7	2 4	H B 2 4 0 0 4 1		1 9	3
H B 1 3 0 0 1 1 4 5		3	3 4	H B 2 4 0 0 6 0		1 9	9
H B 1 3 0 0 2 0		2 5	2	H B 2 4 0 0 7 0		1 9	1 3
H B 1 3 0 0 2 0		4 1	2	H B 2 4 0 0 8 0		1 9	1 1
H B 1 3 0 0 3 0		2 5	2	H B 2 4 0 0 9 0		1 9	1 0
H B 1 3 0 0 3 0		4 1	2	H B 2 4 0 1 1 0		1 9	1 2
H B 1 3 0 0 4 0		3	3 3	H B 2 4 0 1 5 1		1 1	2
H B 2 1 0 2 3 0		5	5	H B 2 4 0 1 6 1		1 1	1 3
H B 2 1 0 2 4 0		5	5	H B 2 4 0 2 0 0		2 1	2 0
H B 2 2 0 0 1 0		5	8	H B 2 4 0 2 4 0		2 1	2 4
H B 2 3 0 0 1 1		9	1 3	H B 2 4 0 3 0 0		2 1	1 3
H B 2 3 0 0 2 0		9	1 1	H B 3 1 0 0 1 0		4 1	8
H B 2 3 0 0 3 0		9	1 4	H B 3 1 0 0 2 0		2 5	1
H B 2 3 0 0 4 0		9	1 9	H B 3 1 0 0 3 0		4 1	9
H B 2 3 0 0 5 1		9	1 0	H B 3 1 0 0 4 0		2 5	1 1

I N D E X

LIST	No.	PAGE No.	ITEM	LIST	No.	PAGE No.	ITEM
HB 3 1 0 0 5 1		2 5	1 9	HH 2 2 0 5 7 0		5	1 3
HB 3 1 0 0 6 0		2 3	9	HH 3 2 0 5 5 0		2 5	4
HB 3 1 0 0 7 0		2 3	7	HH 3 3 0 6 7 0		2 9	2 5
HB 3 1 0 0 7 0		2 5	1 8	HH 3 3 0 7 6 0		5 7	2 3
HB 3 1 0 0 8 0		2 5	9	HH 3 3 0 7 7 0		2 9	1 0
HB 3 1 0 1 0 0		2 5	7	HH 3 3 0 8 1 0		2 9	2 6
HB 3 1 0 1 1 0		2 5	1 6	HH 4 8 1 9 0 0		3 7	1
HB 3 1 0 1 2 0		2 3	1	HH 4 8 1 9 0 0		4 1	4
HB 3 1 0 1 3 0		2 3	2	HH 4 8 1 9 1 1		3 7	2
HB 3 1 0 1 4 0		2 3	1 1	HH 4 8 1 9 1 1		4 1	7
HB 3 1 0 1 5 0		2 3	3	HH 4 8 1 9 3 1		3 7	3
HB 3 1 0 1 6 0		2 5	6	HH 4 8 1 9 3 1		4 1	6
HB 3 1 0 1 6 0		4 1	1	HH 4 8 1 9 4 0		3 7	4
HB 3 1 0 1 7 0		2 5	1 2	HH 4 8 1 9 7 0		7	6
HB 3 1 0 1 8 0		2 5	2 2	HH 4 8 1 9 7 0		3 5	1 9
HB 3 1 0 1 8 0		4 1	1 8	HH 4 8 1 9 7 0		3 9	1 5
HB 3 1 0 1 9 1		2 5	1 5	HH 4 8 1 9 8 0		3 5	1 6
HB 3 1 0 2 0 0		2 5	1 4	HH 4 8 1 9 8 0		3 9	1 1
HB 3 1 0 2 1 0		2 3	1 2	HH 4 8 1 9 9 1		3 5	1 3
HB 3 1 0 2 2 0		2 3	8	HH 4 8 1 9 9 1		3 9	2 0
HB 3 1 0 2 3 0		4 1	5	HH 4 8 2 0 0 0		3 5	1 4
HB 3 1 0 2 6 0		2 5	2 0	HH 4 8 2 0 0 0		3 9	1 9
HB 3 2 0 0 3 0		7	1	HH 4 8 2 0 1 1		3 5	1 5
HB 3 2 0 0 5 0		7	1	HH 4 8 2 0 1 1		3 9	1 4
HB 3 3 0 0 1 0		2 7	1 2	HH 4 8 2 0 3 1		3 5	4
HB 3 3 0 0 2 0		2 7	5	HH 4 8 2 0 4 1		3 5	5
HB 3 3 0 0 4 0		2 9	5	HH 4 8 2 0 9 G 4 5		3 5	9
HB 3 3 0 0 5 0		2 9	2 0	HH 4 8 2 1 1 0		3 5	1 2
HB 3 3 0 0 6 0		2 9	1 6	HH 4 8 2 1 1 0		3 9	2 1
HB 3 3 0 0 7 0		2 9	2	HK 2 2 0 6 8 1		5	9
HB 3 3 0 0 8 0		2 9	1 7	HP 1 2 0 0 2 0		3	3
HB 3 3 0 0 9 0		2 9	1	HP 1 2 0 0 3 0		3	3 1
HB 3 3 0 1 0 1		2 9	2 1	HP 1 3 0 0 2 1		3	2 5
HB 3 3 0 1 1 1		2 7	9	HP 1 4 0 0 9 0		3	1 9
HB 3 3 0 1 2 0		2 9	3	HP 1 4 0 1 0 0 8 5		3	1 8
HB 3 3 0 1 3 0		2 7	7	HP 1 4 0 1 1 1		3	8
HB 3 3 0 1 4 0		2 7	1	HP 1 4 0 1 2 0		3	1 4
HB 3 3 0 1 5 0		2 7	1 5	HP 1 4 0 1 3 0 4 5		3	1 6
HB 3 3 0 1 7 0		2 7	6	HP 1 4 0 1 7 0		3	2 1
HB 3 3 0 1 9 0		2 7	1 4	HP 1 4 0 4 9 0		3	1 2
HB 3 3 0 2 0 0		2 7	1 3	HP 1 4 0 8 4 1		3	1 1
HB 3 3 0 2 1 1		2 7	1 1	HP 1 4 1 0 8 0		3	1 5
HB 3 3 0 2 2 1		2 7	1 0	HP 1 4 1 0 9 0		3	2 0
HH 1 4 0 2 6 0		3	1 0	HP 1 4 1 4 5 0		3	9
HH 1 4 0 9 4 0		3	3 6	HP 2 1 0 3 4 1		5	1 5

From the library of: Diamond Needle Corp

I N D E X

LIST	No.	PAGE No.	ITEM	LIST	No.	PAGE No.	ITEM
HP 2 1 1 0 5 0		5	1 5	HP 4 8 2 2 8 0		3 3	1 7
HP 2 2 0 6 8 0		5	9	HP 4 8 2 2 9 0		4 1	1 6
HP 2 2 0 7 0 1		5	1 1	HP 4 8 2 5 6 0		4 1	1 7
HP 2 2 0 7 1 2		5	4	HP 4 8 2 5 7 0		4 1	1 0
HP 2 2 0 7 2 0		5	1 0	HP 4 8 2 5 8 0		4 1	1 5
HP 2 2 0 7 3 0		5	1 0	HP 4 8 2 5 9 0		3 3	1 5
HP 2 3 1 3 7 0		1 5	2 6	HP 4 8 2 8 1 A 4 5		3 3	7
HP 2 4 1 4 3 0		4 9	5	HP 4 8 2 8 2 0 4 5		3 3	4
HP 2 5 0 7 6 3		5	1	HP 4 8 2 8 7 1		3 5	1
HP 2 5 0 7 6 3		5 1	2 5	HP 4 8 2 8 8 1		3 3	1
HP 2 7 1 7 0 0		5 7	2 0	HP 4 8 2 8 9 2		3 9	5
HP 2 7 2 0 0 2		5 1	1 6	HP 4 8 2 9 0 G 4 5		3 1	5
HP 2 7 2 5 5 0		5 1	1	HP 4 8 2 9 1 0		3 3	5
HP 2 7 2 5 6 0		5 1	2	HP 4 8 2 9 1 0		3 5	7
HP 2 7 2 5 7 0		5 1	8	HP 4 8 2 9 1 0		3 9	2 4
HP 3 1 0 1 5 0		2 5	8	HP 4 8 2 9 2 1		3 3	6
HP 3 1 0 2 2 0		2 3	1 7	HP 4 8 2 9 4 0		3 5	6
HP 3 2 1 0 8 2		5	1 6	HP 4 8 2 9 4 0		3 9	8
HP 3 2 1 0 9 0		5	1 7	HP 4 8 2 9 5 0		3 3	3
HP 3 2 1 1 0 0		2 3	1 0	HP 4 8 2 9 5 0		3 5	2
HP 3 2 1 1 1 0		3	2 8	HP 4 8 2 9 5 0		3 9	6
HP 3 2 1 1 4 0		4 1	3	HP 4 8 2 9 8 0		3 5	1 1
HP 3 2 1 7 1 0		7	7	HP 4 8 2 9 8 0		3 9	2 2
HP 3 2 1 7 2 0		7	8	HP 4 8 2 9 9 0		3 5	1 7
HP 3 3 1 5 6 0		2 9	1 3	HP 4 8 2 9 9 0		3 9	1 2
HP 3 3 1 6 1 0		2 9	1 2	HP 4 8 3 1 1 1		3 9	1
HP 3 3 1 6 6 0		2 9	8	HP 4 8 3 1 3 G 4 5		3 3	1 8
HP 3 3 1 7 0 0		2 9	2 3	HP 4 8 3 3 7 0		3 3	2
HP 3 3 1 9 2 2		7	1 0	HP 4 8 3 3 7 0		3 9	2
HP 3 3 1 9 5 0		2 9	2 4	HP 4 8 3 3 9 1		3 3	1 9
HP 4 5 1 0 8 0		3 7	5	HP 5 1 2 3 1 0		4 3	1 1
HP 4 5 1 1 0 0		3 9	3	HP 5 1 2 3 2 0		3	2 2
HP 4 5 1 1 1 G 4 5		3 7	7	HP 5 1 2 3 2 0		4 3	1 2
HP 4 5 1 1 2 G 5 3 0		3 9	2 8	HP 5 1 2 3 2 0		4 5	2 9
HP 4 6 0 1 2 1		3 3	8	HP 5 1 2 3 2 0		4 7	4
HP 4 6 0 1 6 0		3 3	1 1	HP 5 1 2 3 3 0		4 3	1 0
HP 4 6 0 1 6 0		4 1	1 2	HP 5 1 2 3 4 1		4 3	9
HP 4 6 0 1 7 0		3 3	9	HP 5 1 2 3 5 0		4 3	8
HP 4 6 0 1 7 0		4 1	1 4	HP 5 1 2 3 6 0		4 5	3 1
HP 4 8 0 1 2 0		3 1	7	HP 5 1 2 3 6 0		4 7	2 9
HP 4 8 2 1 7 G 5 3 0		3 9	2 6	HP 5 1 2 3 7 0		4 5	2 7
HP 4 8 2 2 1 G 5 3 0		3 1	6	HP 5 1 2 3 7 0		4 7	2 7
HP 4 8 2 2 5 0		3 3	1 3	HP 7 1 0 7 9 1		4 9	4
HP 4 8 2 2 6 0		3 3	1 6	HP 7 1 1 2 0 0		4 9	6
HP 4 8 2 2 7 0		3 3	1 4	HT 2 3 0 0 1 0		9	1

From the library of: Diamond Needle Corp

I N D E X

LIST	No.	PAGE No.	ITEM	LIST	No.	PAGE No.	ITEM
HT 2 3 0 0 2 0		1 1	3	HT 2 3 0 5 9 0		1 7	1 5
HT 2 3 0 0 3 0		1 1	8	HT 2 3 0 6 0 0		1 7	3
HT 2 3 0 0 4 1		1 3	2 9	HT 2 3 0 6 1 0		1 7	1
HT 2 3 0 0 6 1		1 3	1 7	HT 2 3 0 6 2 0		1 9	8
HT 2 3 0 0 7 0		1 1	9	HT 2 3 0 6 3 0		1 9	6
HT 2 3 0 0 8 0		1 1	1 1	HT 2 3 0 6 5 0		1 3	3 1
HT 2 3 0 1 1 0		1 3	3 2	HT 2 3 0 6 6 0		9	1 8
HT 2 3 0 1 2 0		1 3	1 0	HT 2 3 0 6 7 0		1 3	1 1
HT 2 3 0 1 3 0		1 3	2	HT 2 3 0 6 9 0		1 3	1 5
HT 2 3 0 1 4 1		1 3	8	HT 2 3 0 7 0 0		1 3	7
HT 2 3 0 1 5 1		1 3	2 8	HT 2 3 0 7 3 0		1 5	1 8
HT 2 3 0 1 7 0		1 1	1 0	HT 2 3 0 7 6 0		1 5	9
HT 2 3 0 1 8 0		1 3	2 2	HT 2 3 0 7 7 0		1 5	2 2
HT 2 3 0 2 0 0		1 5	1 3	HT 2 3 0 8 1 0		1 3	6
HT 2 3 0 2 1 0		9	2 2	HT 2 4 0 0 0 0		1 1	1
HT 2 3 0 2 2 0		1 9	7	HT 2 4 0 0 1 0		1 1	1 4
HT 2 3 0 2 6 1		1 3	3 4	HT 2 4 0 0 2 0		2 1	9
HT 2 3 0 2 7 0		1 1	1 5	HT 2 4 0 0 6 1		2 1	1 0
HT 2 3 0 2 8 0		1 5	2 0	HT 2 4 0 1 0 0		5 9	1
HT 2 3 0 2 8 0		1 5	2 3	HT 2 4 0 1 2 0		2 1	1
HT 2 3 0 2 9 0		1 5	1 5	HT 2 4 0 1 3 0		2 1	2
HT 2 3 0 3 0 0		1 1	6	HT 2 4 0 1 4 0		2 1	3
HT 2 3 0 3 1 0		1 7	2	HT 2 4 0 1 5 0		2 1	4
HT 2 3 0 3 2 0		1 5	2	HT 2 4 0 1 6 0		2 1	5
HT 2 3 0 3 3 0		1 3	3 0	HT 2 4 0 1 7 0		2 1	6
HT 2 3 0 3 4 0		1 5	3	HT 2 4 0 1 8 0		2 1	7
HT 2 3 0 3 6 1		5 5	2 3	HT 2 4 0 2 1 1		2 1	1 5
HT 2 3 0 3 7 0		1 5	4	HT 2 4 0 2 2 0		2 1	1 6
HT 2 3 0 3 8 0		1 7	4	HT 2 4 0 2 2 0		2 1	2 2
HT 2 3 0 4 1 0		1 7	1 3	HT 2 4 0 2 3 0		2 1	1 7
HT 2 3 0 4 2 0		1 7	5	HT 2 4 0 2 4 0		2 1	1 9
HT 2 3 0 4 5 0		1 5	6	HT 2 4 0 2 5 0		5 9	2
HT 2 3 0 4 6 0		1 5	7	HT 2 4 0 2 7 0		5 9	3
HT 2 3 0 4 7 0		1 5	1 4	HT 2 4 0 2 8 0		5 9	4
HT 2 3 0 4 8 0		1 5	8	HT 2 4 0 2 9 0		5 9	5
HT 2 3 0 4 9 0		1 5	1	HT 2 4 0 3 0 0		5 9	6
HT 2 3 0 5 0 0		1 5	5	HT 2 4 0 3 1 0		5 9	7
HT 2 3 0 5 1 0		1 5	1 2	HT 2 4 0 3 2 1		2 1	1 4
HT 2 3 0 5 2 0		1 5	1 6	HT 2 4 0 3 3 1		2 1	1 8
HT 2 3 0 5 3 0		1 5	1 9	HT 2 4 0 3 4 0		5 9	9
HT 2 3 0 5 4 0		1 1	7	HT 2 4 0 3 9 0		2 1	1 1
HT 2 3 0 5 5 0		1 3	2 1	HT 2 4 0 4 3 0		2 1	2 3
HT 2 3 0 5 6 0		1 5	2 1	HT 2 4 0 4 4 0		2 1	2 5
HT 2 3 0 5 7 0 M		1 3	1 4	HT 2 4 0 4 6 0		2 1	2 1
HT 2 3 0 5 8 0		9	1 7	HT 2 4 0 4 7 0		2 1	2 6

I N D E X

LIST	No.	PAGE No.	ITEM	LIST	No.	PAGE No.	ITEM
HT 2 7 0 0 0 1		5 5	2	K F 2 2 0 4 1 0		5	7
HT 2 7 0 0 1 0		5 5	2 2	K F 2 2 0 4 2 1		5	7
HT 2 7 0 0 2 1		5 5	5	K F 2 2 0 4 4 0		5	6
HT 2 7 0 0 3 0		5 1	1	K F 2 2 0 5 1 1		5	1 4
HT 2 7 0 0 3 0		5 5	1	K F 2 2 0 7 8 0		5	8
HT 2 7 0 0 4 0		5 5	4	K F 2 3 0 2 4 0		1 3	1 3
HT 2 7 0 0 6 2		5 5	2 5	K F 2 3 0 2 5 0		1 3	1 2
HT 2 7 0 0 7 0		5 3	3	K F 2 3 0 5 0 0		9	6
HT 2 7 0 0 8 0		5 5	1 1	K F 2 3 0 5 3 0		1 5	2 5
HT 2 7 0 0 9 0		5 5	1 4	K F 2 3 0 5 8 0		5 5	3
HT 2 7 0 1 0 0		5 5	1 0	K F 2 3 0 6 3 0		2 9	1 9
HT 2 7 0 1 1 0		5 3	1 4	K F 2 3 0 6 4 0		1 3	4
HT 2 7 0 1 2 0		5 5	9	K F 2 3 0 6 4 0		5 1	1 4
HT 2 7 0 3 5 0		5 5	2 4	K F 2 3 0 6 6 1		1 3	2 6
HT 2 7 0 6 4 0		5 5	2 0	K F 2 3 0 6 7 0		1 3	2 7
HT 3 3 0 0 0 0		2 9	4	K F 2 3 0 9 1 0		1 3	9
HT 7 1 0 0 0 0		4 9	3	K F 2 4 0 9 0 0		4 9	2
HU 3 1 5 2 9 0		2 3	1 6	K F 2 5 0 9 0 0		5	2
KB 2 7 0 0 1 2		5 1	6	K F 3 3 0 1 8 0		1 3	2 3
KC 1 4 0 1 2 1		3	2 3	K F 5 3 0 1 1 1		4 3	1 9
KC 2 7 0 2 7 1		5 5	6	K F 5 3 0 1 1 1		4 5	1 3
KC 2 7 0 2 9 2		5 5	7	K F 5 3 0 1 1 1		4 7	1 3
KC 2 7 0 9 7 0		5 1	3	K F 5 3 0 1 2 0		4 3	1 9
KC 2 7 0 9 8 0		5 1	2 4	K F 5 3 0 1 2 0		4 5	1 3
KC 2 7 1 4 4 0		5 7	2	K F 5 3 0 1 2 0		4 7	1 3
KC 3 2 0 8 2 0		2 3	1 8	K F 5 3 0 1 5 0		4 3	1 8
KC 3 2 0 8 2 0		2 5	5	K F 5 3 0 1 5 0		4 5	1 5
KC 3 3 0 1 7 0		2 7	3	K F 5 3 0 1 5 0		4 7	1 5
KC 3 3 0 1 8 0		5 7	3	K F 5 3 0 1 6 0		4 3	2 1
KC 3 3 0 2 8 0		2 7	2	K F 5 3 0 1 6 0		4 5	1 1
KC 3 3 0 3 1 0 3 0 0		2 9	6	K F 5 3 0 1 6 0		4 7	1 1
KC 3 3 0 4 1 0		1 3	5	K F 5 3 0 1 7 0		4 3	2 3
KC 3 3 0 4 1 0		2 9	9	K F 5 3 0 1 7 0		4 5	1 9
KC 3 3 0 4 1 0		5 7	2 5	K F 5 3 0 1 7 0		4 7	1 9
KC 3 3 0 4 2 0		2 9	1 1	K F 7 1 0 3 9 0		4 9	1 2
KC 5 2 0 0 2 0		4 3	1 3	K F 7 3 0 7 9 0		3 1	1
KC 5 2 0 0 2 0		4 5	1 7	K G 7 1 0 1 6 1		4 9	7
KC 5 2 0 0 2 0		4 7	1 7	K L 2 2 0 1 4 0		5	1 2
KC 5 3 0 2 3 0		4 3	1 7	K L 2 3 0 1 8 0		1 3	2 5
KC 5 3 0 2 3 0		4 5	1 4	K L 2 7 0 0 0 0		5 5	8
KC 5 3 0 2 3 0		4 7	1 4	K L 2 7 0 0 4 0		5 5	1 3
KC 5 3 0 2 4 0		4 3	2 0	K L 2 7 0 0 6 0		5 5	1 5
KC 5 3 0 2 4 0		4 5	1 2	K L 2 7 0 0 7 0		5 5	1 7
KC 5 3 0 2 4 0		4 7	1 2	K L 2 7 0 0 8 1		5 3	2
K F 2 2 0 3 0 2		5	6	K L 2 7 0 0 9 1		5 3	1 1

From the library of: Diamond Needle Corp

I N D E X

L I S T	No.	P A G E No.	ITEM	L I S T	No.	P A G E No.	ITEM
K L 2 7 0 1 0 1		5 3	5	K U 4 6 0 2 7 0		3 9	2 7
K L 2 7 0 1 0 1		5 5	1 8	M T 4 6 0 2 4 0		3 7	9
K L 2 7 0 1 1 0		5 3	8	M T 4 6 0 2 4 0		3 9	2 9
K L 2 7 0 1 2 0		5 3	7	W W 1 4 0 0 7 0		3	2
K L 2 7 0 1 3 0		5 3	6				
K L 2 7 0 2 6 0		5 3	9				
K L 2 7 0 4 4 0		5 3	1 3				
K L 2 7 0 4 5 0		5 3	1 2				
K L 2 7 0 5 2 0		5 5	1 6				
K N 2 7 0 9 5 1		5 1	7				
K N 2 7 0 9 6 0		5 1	2 3				
K N 2 7 1 1 9 0		5 1	2 1				
K N 2 7 1 2 2 0		5 1	1 8				
K N 2 7 1 5 2 1		5 1	1				
K N 2 7 1 5 6 0		5 1	4				
K N 2 7 1 6 1 0		5 1	3 4				
K N 2 7 1 6 2 0		5 1	8				
K N 2 7 1 6 3 0		5 1	1 0				
K N 2 7 1 6 4 5		5 1	1 1				
K N 2 7 1 6 5 1		5 1	1 2				
K N 2 7 1 6 6 2		5 1	1 3				
K N 2 7 1 6 7 1		5 1	1 5				
K N 2 7 1 7 1 2		5 7	8				
K N 2 7 1 7 2 0		5 7	2 4				
K N 2 7 1 7 3 1		5 7	1 5				
K N 2 7 1 7 5 0		5 7	1 1				
K N 2 7 1 7 8 1		5 7	1 0				
K N 2 7 1 8 0 0		5 7	2 9				
K N 2 7 1 9 8 0		5 1	2				
K N 2 7 1 9 9 0		5 7	9				
K N 2 7 2 3 5 0		5 7	1 2				
K N 2 7 2 4 0 0		5 3	4				
K N 2 7 2 4 0 0		5 5	2 1				
K N 2 7 2 5 4 0		5 1	1 9				
K N 3 1 0 0 0 0		2 3	6				
K N 3 1 0 0 1 0		2 3	1 4				
K N 3 1 3 6 7 0		2 3	5				
K N 3 1 5 1 1 0		2 3	1 5				
K N 4 5 0 3 0 0		3 7	1 0				
K N 4 5 0 3 0 0		3 9	1 7				
K N 4 8 0 0 6 1		3 5	8				
K N 4 8 0 0 6 1		3 9	2 5				
K N 5 1 1 0 2 0		7	9				
K N 5 4 0 5 1 0		5 9	8				
K U 4 6 0 2 7 0		3 7	8				

